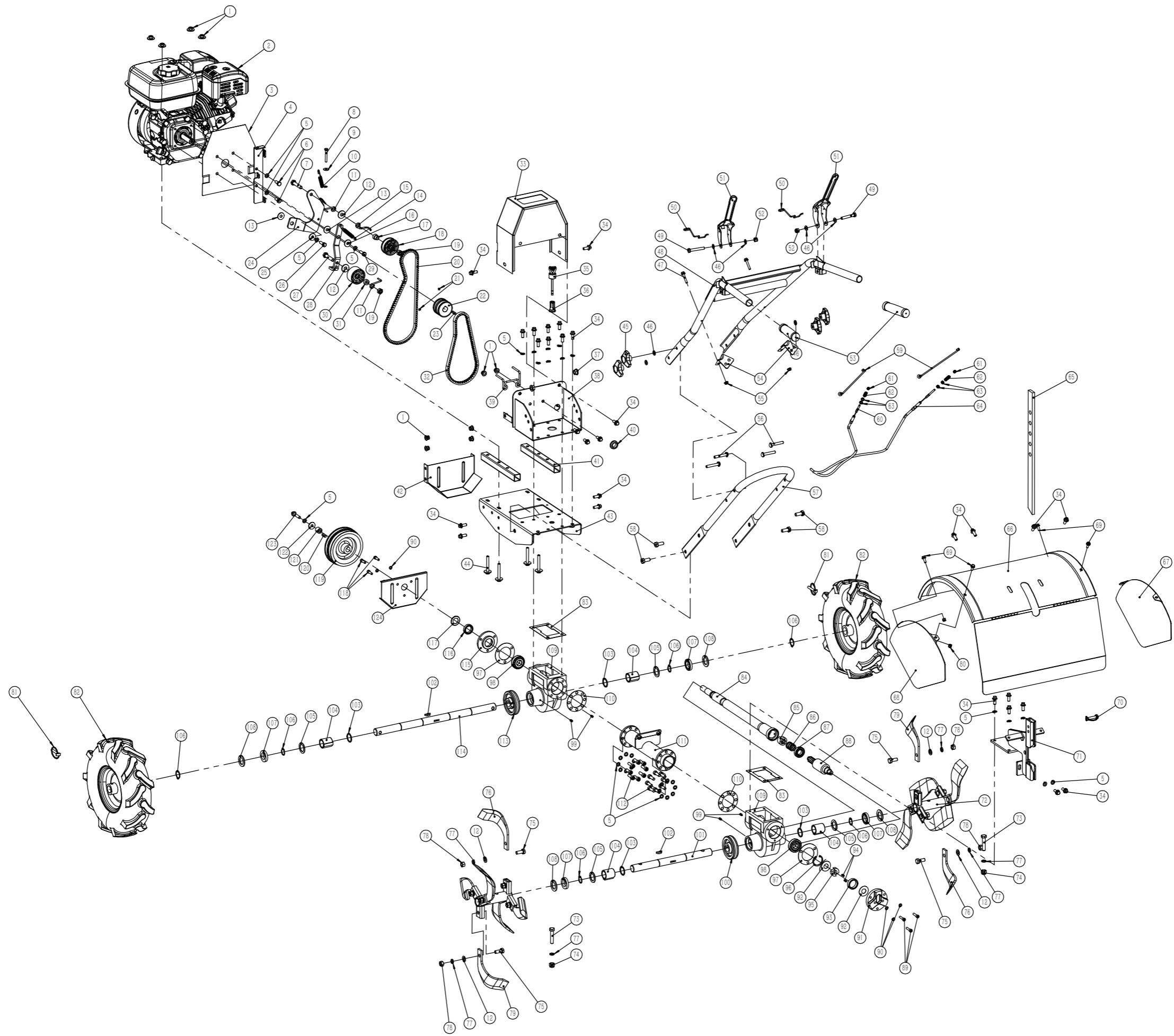


LP	Kod	Nazwa	Ilość
1	380140215-0003	Hexagon bolt with flange	6
2	120220008-0001	Cylinder head cover assy	1
3	120250013-0001	Gasket for cylinder head cover	1
4	380140336-0001	Hexagon bolt with flange	4
5	270960014-0001	Spark plug	1
6	380180098-0001	Stud	2
7	180650143-0001	Outlet gasket	1
8	120081012-0001	Cylinder head	1
9	160190147-0001	air deflector	1
10	380140011-0004	Hexagon bolt with flange	5
11	380180093-0001	Stud	2
12	120150274-0001	Gasket for cylinder head	1
13	380600117-0001	ocation pin	2
14	140450022-0001	Valve rocker combination	2
15	140710023-0001	Plate, push rod guide	1
16	140670007-0001	Push rod	2
17	140690003-0001	Lifter, Valve	2
18	140020238-0001	Camshaft assy	1
19	500550077-0001	Valve Kit	1
20	140400011-0001	Valve oil seal	1
21	140340022-0001	Inner spring of valve	2
22	140380024-0001	Retainer, valve spring	2
23	180572621-0001	Muffler	1
24	380140028-0004	Hexagon bolt with flange	6
25	380650347-0001	Oil seal	2
26	110820304-0001	Crankcase cover	1
27	110690096-0004	Oil rule combination	2
28	110830080-0001	Crankcase cover gasket	1
29	380600120-0001	ocation pin	2
30	380451264-0001	Flat washer	1
31	130290762-0001	crankshaft	1
32	130150178-0001	Connecting rod	1
33	380560055-0001	Steel cable baffle ring	2
34	130060103-0001	Piston pin	1
35	130030344-0001	Piston	1
36	130070271-0001	Piston ring combination	1
37	171750002-0001	Components of governor gear	1
38	381350004-0001	Pin clip	1
39	171620001-0003	Speed regulating bracket	1
40	171630001-0001	Speed regulating arm	1
41	380450531-0001	Flat washer	1
42	110810506-0001	Crankcase body	1
43	380450514-0001	Flat washer	2
44	110260025-0001	Sealing plug screw	2
45	160200091-0001	Side plate	1
46	380140003-0005	Hexagon bolt with flange	1
47	270020577-0001	FLYWHEEL COMP	1
48	270920570-0001	COIL ASSY.,IGNNTION	1
49	380140102-0004	Hexagon bolt with flange	3

LP	Kod	Nazwa	Ilość
50	160180023-0001	Impeller	1
51	193590024-0001	Starting disc	1
52	380370051-0001	Hexagon nut with flange	1
53	193490586-0004	Manual starting assembly	1
54	380140001-0006	Hexagon bolt with flange	2
55	171680224-0001	Throttle handle combination	1
56	171600160-0001	Governing spring	1
57	170430060-0001	Carburetor gasket	1
58	170440096-0001	Heat insulating pad for carburetor	1
59	170430048-0001	Carburetor gasket	1
60	170022446-0001	Carburetor	1
61	171590002-0001	Throttle rod	1
62	171610002-0001	throttle return spring	1
63	380950188-0001	Pipe clip	2
64	380750723-0002	Oil tube	1
65	170430140-0001	Carburetor gasket	1
66	180021130-0001	Air filter	1
67	380370048-0001	Hexagon nut with flange	4
68	170501567-0001	Tank	1
69	170720001-0001	Pouring orifice filter screen combination	1
70	170870039-0001	Tank cover	1
71	380340005-0005	Hexagon nut	2
72	380140089-0005	Hexagon bolt with flange	2
73	380370066-0001	Hexagon nut with flange	1
74	380250002-0001	Square head set screw with flat point	1
75	380140531-0002	Hexagon bolt with flange	4
76	180130364-TE02	Air filter element	1
77	180130336-TE02	Air filter element	1
78	271660027-0001	Stop switch	1
79	281850150-0001	Oil level sensor	1
80	380620031-0001	Key	1
81	380140520-0001	Hexagon bolt with flange	1



Lp	Kod	Nazwa	Ilość
1	81000	Nut M8	14
2	81001	Engine	1
3	81002	Plate	1
4	81003	Bracket	1
5	81004	Spring washer 8	35
6	81006	Bolt M8x20	1
7	81007	Bolt M10x45	1
8	81008	Bolt M6x45	1
9	81009	Washer 6	1
10	81010	Spring for reverse speed	1
11	81011	Belt guard for reverse speed	2
12	81012	Washer 10	14
13	81013	Gasket	2
14	81014	Spring for forward speed	1
15	81015	Belt guard	1
16	81016	Spacer for forward speed	1
17	81017	Spacer for reverse speed	1
18	81018	Idler pulley for reverse speed	1
19	81019	Metal Safety Nut M10	2
20	81020	Reverse belt	1
21	81021	Set screw M6x18	2
22	81022	Double Groove Driving pulley	1
23	81023	Key B4.8x35	1
24	81024	Brace	1
25	81025	Spacer for Brace	1
26	81026	Bolt M8x25	1
27	81027	Bolt M10x60	1
28	81028	Forward Arm	1
29	81029	Bolt M8x35	1
30	81030	Forward idler pulley	1
31	81031	Bushing	1
32	81032	Forward belt	1
33	81033	Large belt cover assembly	1
34	81034	Bolt M8x20	28
35	81035	Oil seal	1
36	81036	Valve	1
37	81037	Nut M10	2
38	81038	Support	1
39	81039	Wire guide	1
40	81040	Rubber ferrule	1
41	81041	Tube spacer	2
42	81042	Small belt cover	1
43	81043	Frame for engine	1
44	81044	Flange Bolt M8x60	4
45	81045	Knob M8	4
46	81046	Washer 8	8
47	81047	Flange Bolt M6x35	2
48	81048	Handle assembly	1
49	81049	Bolt M8x55	2
50	81050	Bail	2

Lp	Kod	Nazwa	Ilość
51	81051	Forward handle bar	2
52	81052	Self nut M8	2
53	81053	Grip	2
54	81054	Cable support	2
55	81055	Safety Nut M6	2
56	81056	Fan bolt M8x50	4
57	81057	Support tube for handle	1
58	81058	Bolt M10x25	4
59	81059	Bar for cable	2
60	81060	Reverse cable assembly	1
61	81061	Flange Safety Nut M5	2
62	81062	Cable spring	2
63	81063	Nut M6	4
64	81064	Forward cable assembly	1
65	81065	Draw stake	1
66	81066	Tine shield assembly	1
67	81067	Right tine cover	1
68	81068	Left tine cover	1
69	81069	Flange Bolt M6x16	4
70	81070	Lock pin	1
71	81071	Support for draw stake	1
72	81072	Tine shaft assembly	2
73	81073	Bolt M10x50	2
74	81074	Self Nut M10	2
75	81075	M10x25	12
76	81076	Left tine	6
77	81077	Spring washer 10	14
78	81078	Nut M10	12
79	81079	Right tine	6
80	81080	Flange Nut M6	4
81	81081	Clip pin	2
82	81082	Wheel	2
83	81083	Square paper gasket	2
84	81084	Wheel gear	1
85	81085	Splined Sleeve	1
86	81086	Splined Compression Spring	1
87	81087	Bearing 61904-2RZ	1
88	81088	Tine gear	1
89	81089	Screw M6x25	3
90	81090	Spring washer 6	6
91	81091	Rear cover	1
92	81092	Return Spacer	2
93	81093	Inner bushing	1
94	81094	Pin 5x10	2
95	81095	Return Sleeve	1
96	81096	Retaining ring	1
97	81097	Paper gasket	2
98	81098	Bearing 30204	2
99	81099	Set screw M6x12	4
100	81100	Tine gear	1

Lp	Kod	Nazwa	Ilość
101	81101	Tine shaft	1
102	81102	Semi circle key	4
103	81103	Washer 26x32x1.5	4
104	81104	Transmission bushing	4
105	81105	Washer 26x32x2	4
106	81106	Shaft ring 25	4
107	81107	Seal 25x40x7	4
108	81108	Protect cover	4
109	81109	Transmission	2
110	81110	Round paper gasket	2
111	81111	Connect pipe	1
112	81112	Screw M8x25	16
113	81113	Wheel gear	1
114	81114	Wheel shaft	1
115	81115	Front cover	1
116	81116	Seal 20x35x7	1
117	81117	Front protect cover	1
118	81118	Screw M6x20	3
119	81119	Driven pulley	1
120	81120	Key 6x20	1
121	81121	Bushing for driven pulley	1
122	81122	Wahser 8	1
123	81123	Bolt M8x40	1
124	81124	Protect plate	1