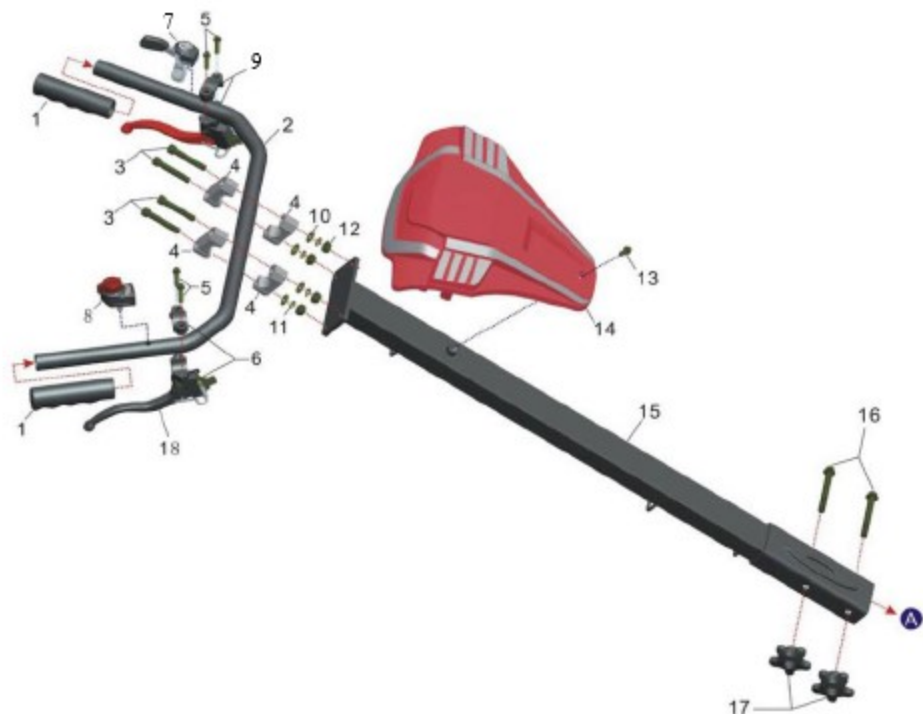
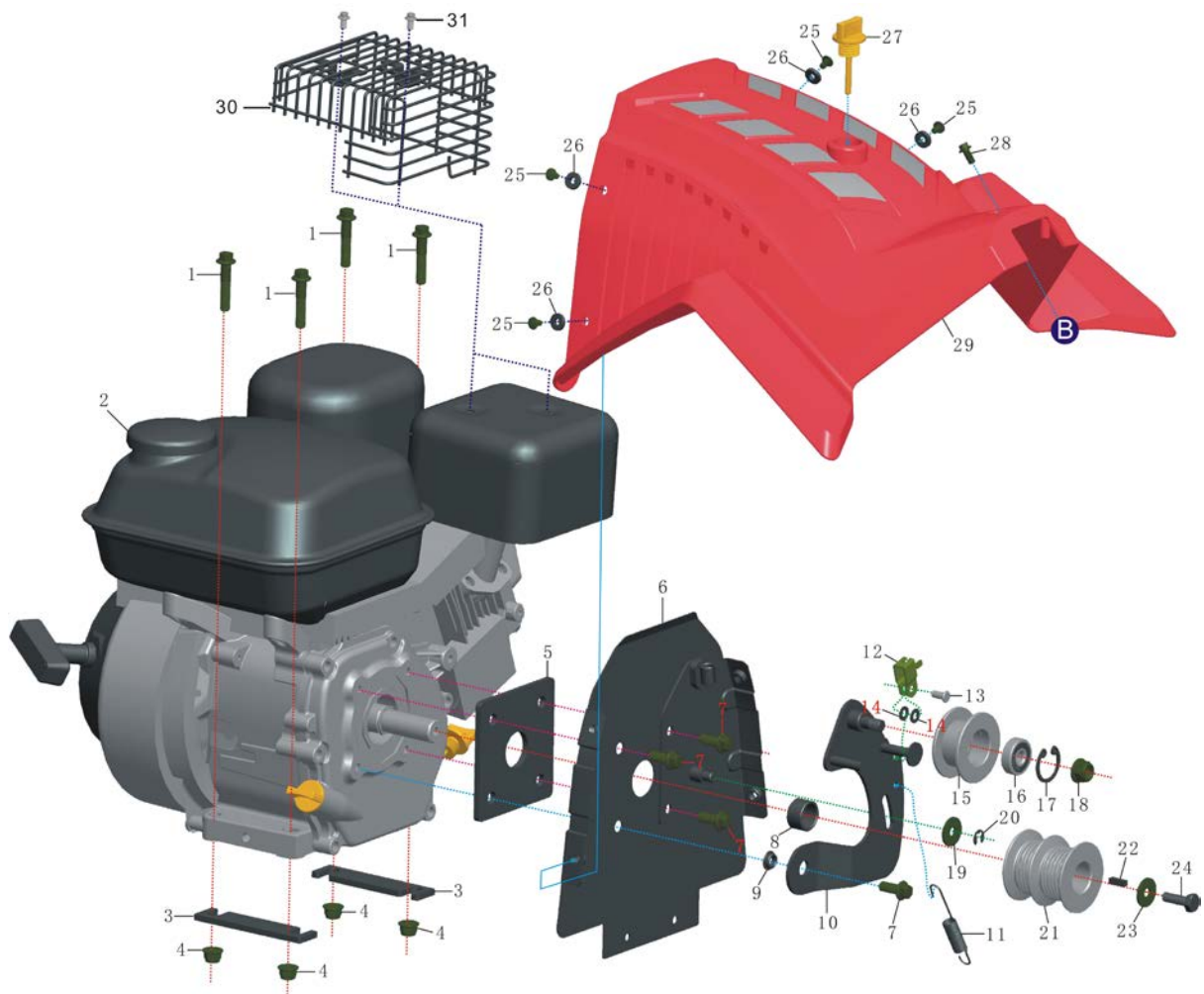


X-GT65-2 EXPLODED DRAWINGS X-GT65-2



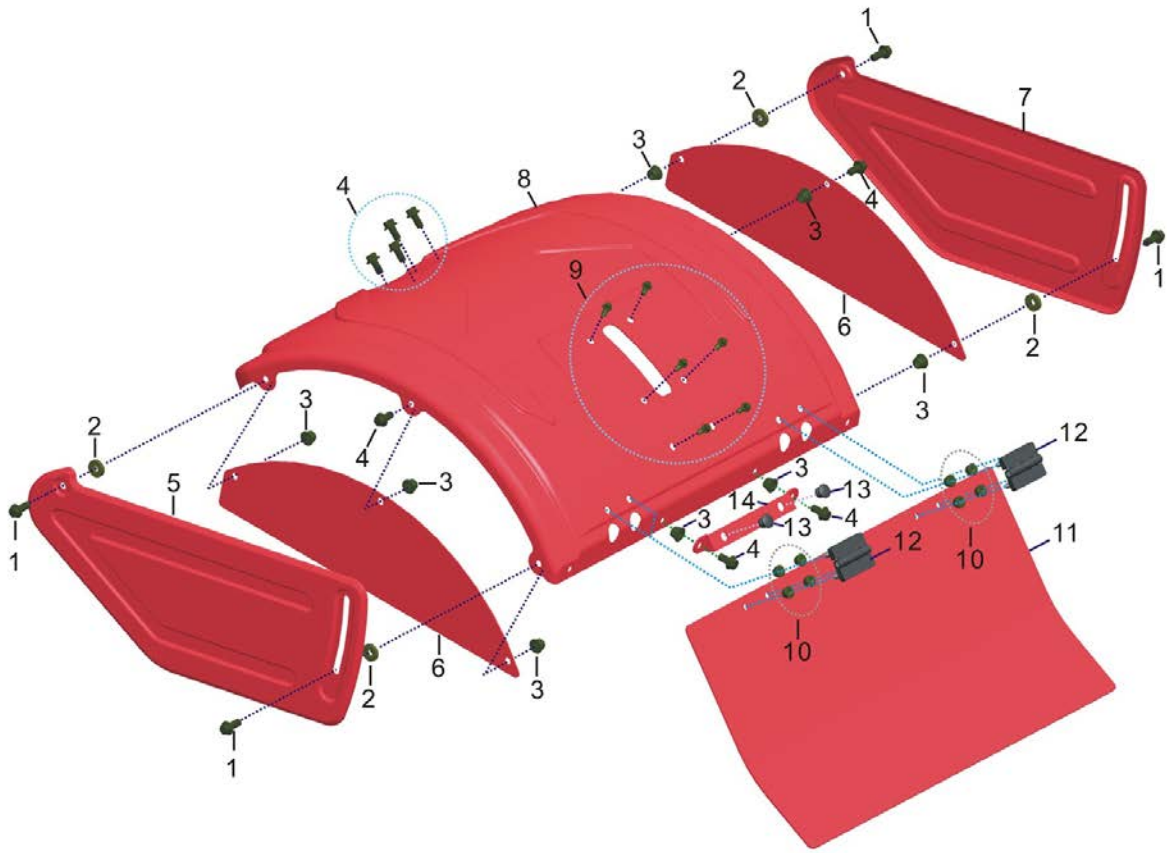
HANDLE ASSY.

REF.No.	Numer katalogowy	DESCRIPTION	Qty Per Machine
1	040001	Handle grip	2
2	040002	Handle bar	1
3	040003	Hex bolt, M8*70	4
4	040004	Handle bar riser	4
5	040005	Flange bolt, M6*25	2
6	040006	Clutch lever	1
7	040119	Throttle lever	1
8	040156	Ignition switch	1
9	040157	Throttle switch	1
10	040007	Plain washer ,Φ8	4
11	040008	Spring washer, Φ8	4
12	040009	Flange self-lock nut, M8	4
13	040014	Flange bolt, M6*12	1
14	040015	Handle bar cover	1
15	040016	Handle bar holder	1
16	040017	Flange bolt, M8*70	2
17	040018	Star nut	2
18	040006/01	Clutch lever	1



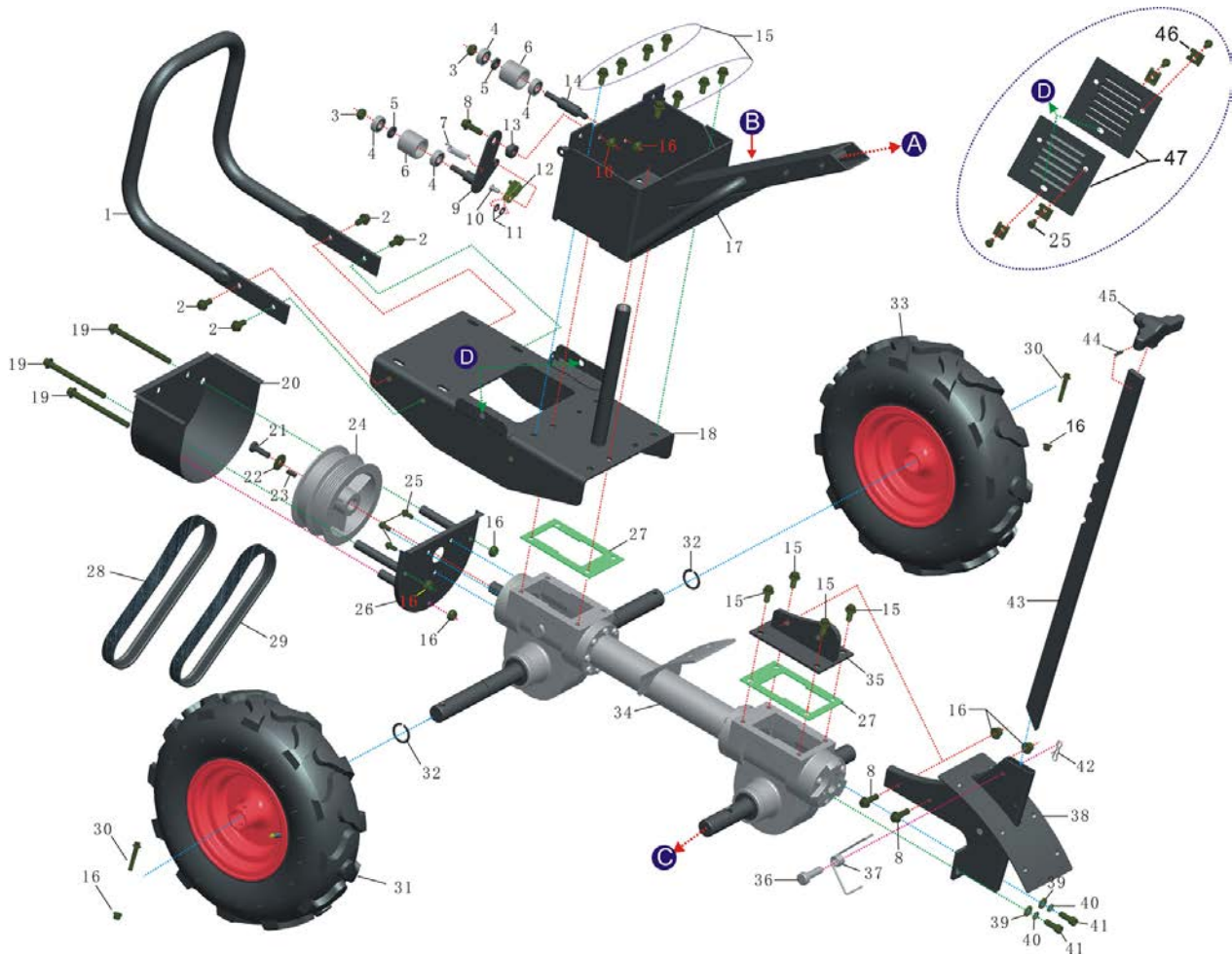
ENGINE ASSY.			
REF.No.	Numer katalogowy	DESCRIPTION	Qty Per Machine
1	040019	Flange bolt, M8*40	4
2	040020	Zongshen engine 168FB	1
3	040021	Engine fixing plate	2
4	040022	Flange self lock nut, M8	4
5	040023	Engine spacer	1
6	040024	Engine plate	1
7	040025	Flange bolt, M8*25	4
8	040026	Drive wheel spacer, $\Phi 20 * \Phi 25 * 14$	1
9	040027	Tension arm spacer, $\Phi 8.2 * \Phi 12.5 * \Phi 16 * 44$	1
10	040028	Tension arm, drive wheel	1
11	040029	Spring, tension arm	1
12	040030	Connector, cable	1
13	040031	Pop rivet, $\Phi 6 * 11$	1
14	040032	Nylon gasket, $\Phi 6 * 1$	2
15	040033	Tensioner, $\Phi 23 * \Phi 30 * \Phi 38 * \Phi 57 * 26$	1
16	040034	Bearing, 6200ZZ	1
17	040035	Circlip, $\Phi 32$	1
18	040036	Locking nut, M10	1
19	040037	Gasket, $\Phi 8 * \Phi 24 * 2$	1

20	040038	Outer circlip, $\Phi 7$	1
21	040039	Drive wheel	1
22	040040	Square key, 5*5*35	1
23	040041	Gasket, $\Phi 8*\Phi 24*2$	1
24	040042	Bolt, M8*25	1
25	040043	Bolt, M6*12	4
26	040044	Rubber gasket, $\Phi 6$	4
27	040045	Oil cap	1
28	040046	Flange bolt, M6*12	1
29	040047	Plastic cover	1
30	040158	Muffler guard	1
31	040159	Bolt-flanged M6*10	2



MUDGUARD ASSY.			
REF.No.	Numer katalogowy	DESCRIPTION	Qty Per Machine
1	040048	Flange bolt, M8*20	4
2	040049	Plain washer, $\Phi 8*\Phi 22*4$	4
3	040050	Flange self-lock nut, M8	8
4	040051	Flange bolt, M8*16	8
5	040052	Adjustable side plate, left	1
6	040053	Side plate, mudguard	2
7	040054	Adjustable side plate, right	1

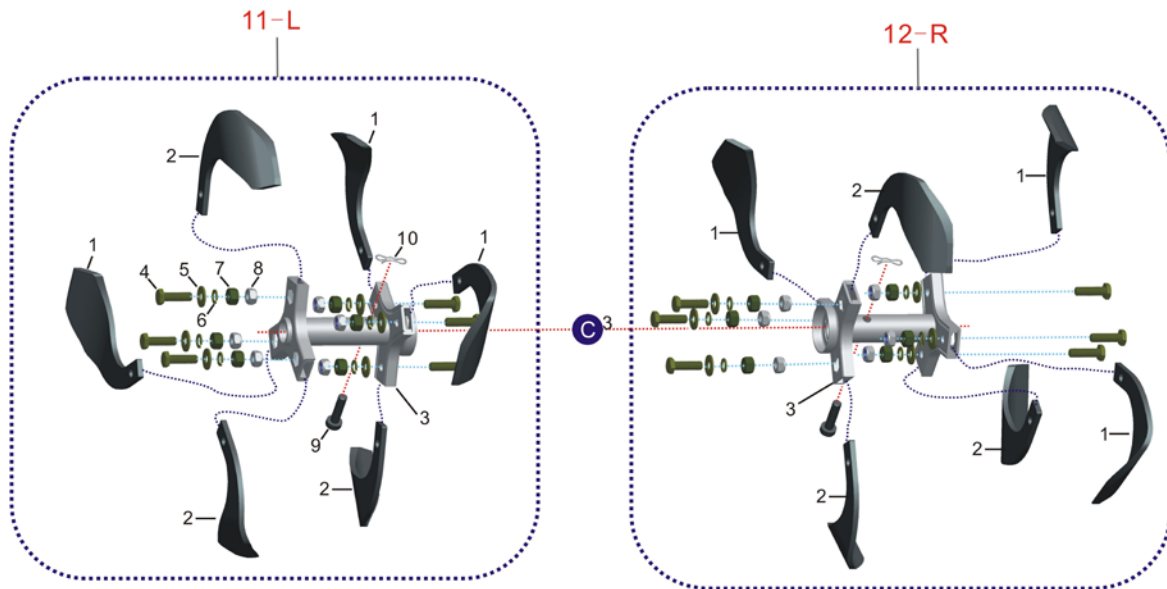
8	040055	Mudguard	1
9	040056	Flange bolt,M6*12	6
10	040160	Nut, flanged, locking M6	8
11	040058	Dust-free rubber piece	1
12	040161	Dust bracket	2
13	040162	Nut	2
14	040163	Bracket	1



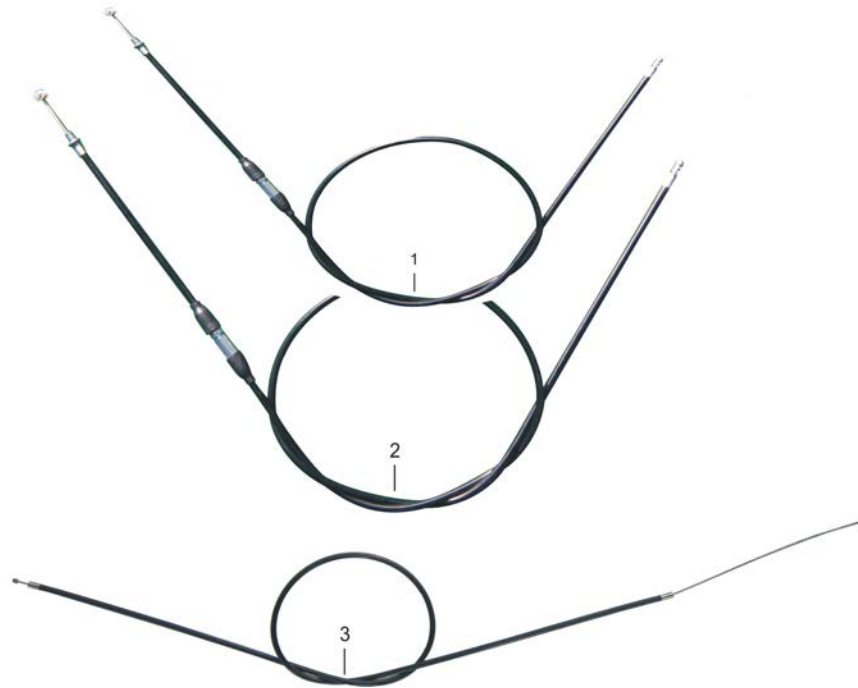
FRAME ASSY.

REF.No.	Numer katalogowy	DESCRIPTION	Qty Per Machine
1	040061	Bumper	1
2	040062	Flange bolt, M8*20	4
3	040063	Blocking nut, M8	2
4	040064	Bearing 628Z	4
5	040065	Spacer, $\Phi 8.5 \times \Phi 17.7 \times 3.1$, tensioner	2
6	040066	Tensioner, driven pulley, $\Phi 16 \times \Phi 24 \times \Phi 32 \times 30$	2
7	040067	Spring, tension arm	1
8	040068	Flange bolte, M8*25	3
9	040069	Tension arm, driven pulley	1
10	040070	Pop rivet, $\Phi 6 \times 11$	1

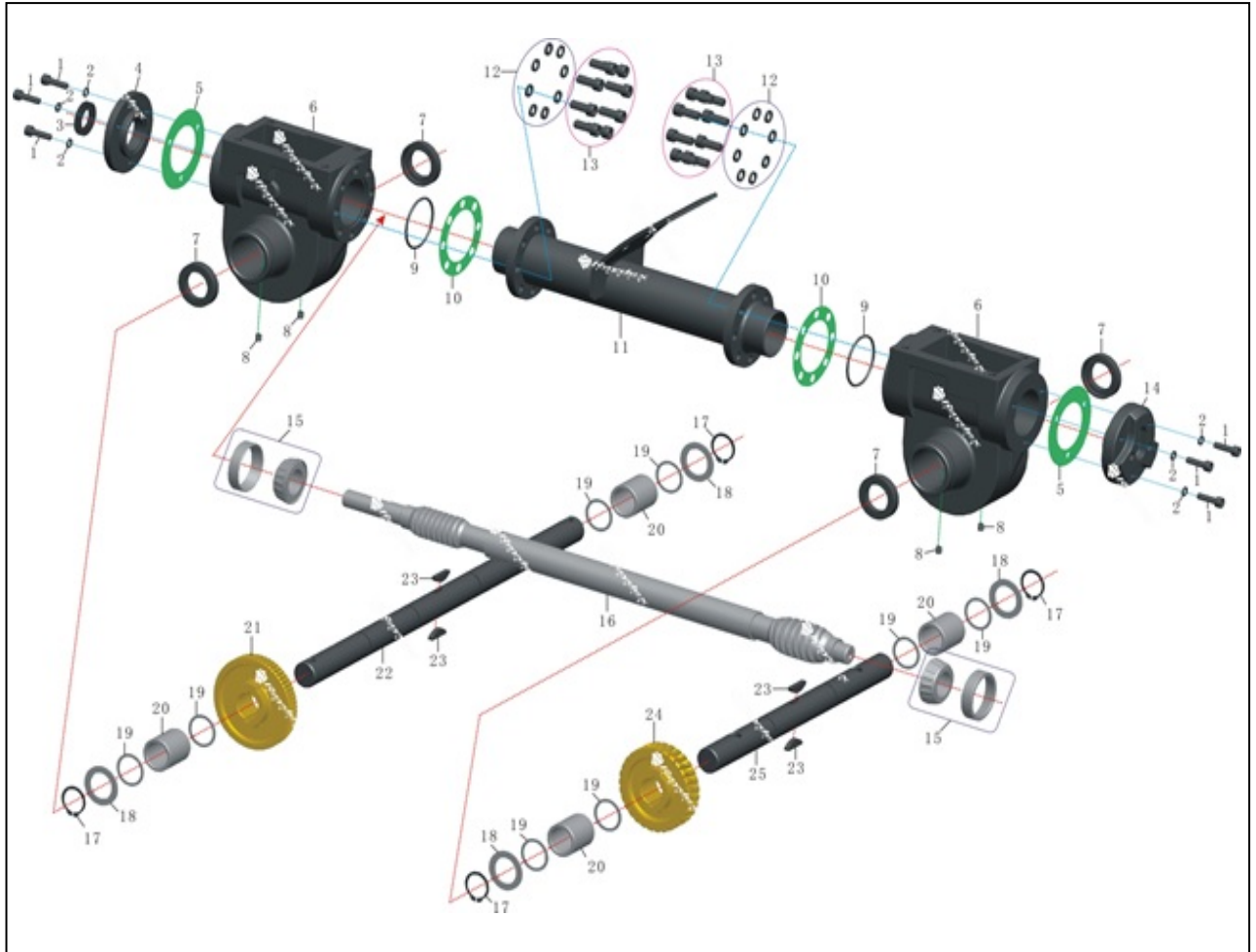
11	040071	Nylon gasket,Φ6*1	2
12	040072	Connector, cable	1
13	040073	Driven pulley spacer,Φ8Φ12*Φ20*11.1	1
14	040074	Set pin, driven pulley,Φ8Φ15*71.8	1
15	040075	Flange bolt, M8*20	12
16	040076	Flange self lock nut, M8	9
17	040077	Tool box	1
18	040078	Engine fixing plate	1
19	040079	Flange bolt,M8*105	3
20	040080	Protective box for belt,front	1
21	040081	Flange bolt M8*25	1
22	040082	Gasket, Φ8*Φ24*2	1
23	040083	Square key, 5*5*20	1
24	040084	Driven pulley	1
25	040085	Flange bolt, M6*12	7
26	040086	Protective box for belt, rear	1
27	040087	Paper gasket	2
28	040088	Belt, reverse	1
29	040089	Belt, forward	1
30	040090	Ring bolt, Φ7*48	2
31	040091	Wheel assy, left-Vacuum trye	1
32	040092	Outer circlip,Φ23	2
33	040093	Wheel assy.right-Vacuum trye	1
34	040094	Gear box	1
35	040095	Retaining plate	1
36	040096	Pin, φ10*40	1
37	040097	Spring, depth stick	1
38	040098	Bracket, depth stick	1
39	040099	Plain washer, Φ8	2
40	040100	Spring washer, Φ8	2
41	040101	Flange bolt, M*8*20	2
42	040102	Hairclip pin	1
43	040103	Depth stick	1
44	040104	Locking pin	1
45	040105	Depth stick grip	1
46	040164		4
47	040165		1



TINE ASSY.			
REF.No.	Numer katalogowy	DESCRIPTION	Qty Per Machine
1	040106	Blade, left	6
2	040107	Blade, right	6
3	040108	Blade holder	2
4	040109	Bolt, M10*25, hex	12
5	040110	Plain washer, Φ 10	12
6	040111	Spring washer, Φ 10	12
7	040112	Blocking nut, M10	12
8	040166	Nut, locking M8	12
9	040113	Pin, ϕ 10*45	2
10	040114	Hairclip pin	2
11-L	040115	Tines assy. Left	1
12-R	040116	Tines assy. Right	1



CABLE ASSY.			
REF.No.	Numer katalogowy	DESCRIPTION	Qty Per Machine
1	040117	Clutch cable, reverse	1
2	040118	Clutch cable, forward	1
3	040155	Throttle cable	1



REF.No.	Numer katalogowy	DESCRIPTION	Qty Per Machine
1	040120	bolt M6*22	6
2	040121	lock washer $\Phi 6$	6
3	040122	seal, dust 19/32/7	1
4	040123		1
5	040124		2
6	040125		2
7	040126	seal, dust 25/40/7	4
8	040127		4
9	040128		2
10	040129		2
11	040130		1
12	040131	lock washer $\Phi 8$	16
13	040132	bolt M8*25	16
14	040133		1
15	040134	bearing M11949	2
16	040135		1
17	040136		4
18	040137		4

19	040138		8
20	040139		4
21	040140	Gear B, for wheels 61teeth	1
22	040141		1
23	040142		4
24	040143	Gear A, for wheels 30teeth	1
25	040144		1
26	040145		
27	040146		
28	040147		
29	040148		
30	040149		
31	040150		
32	040151		
33	040152		