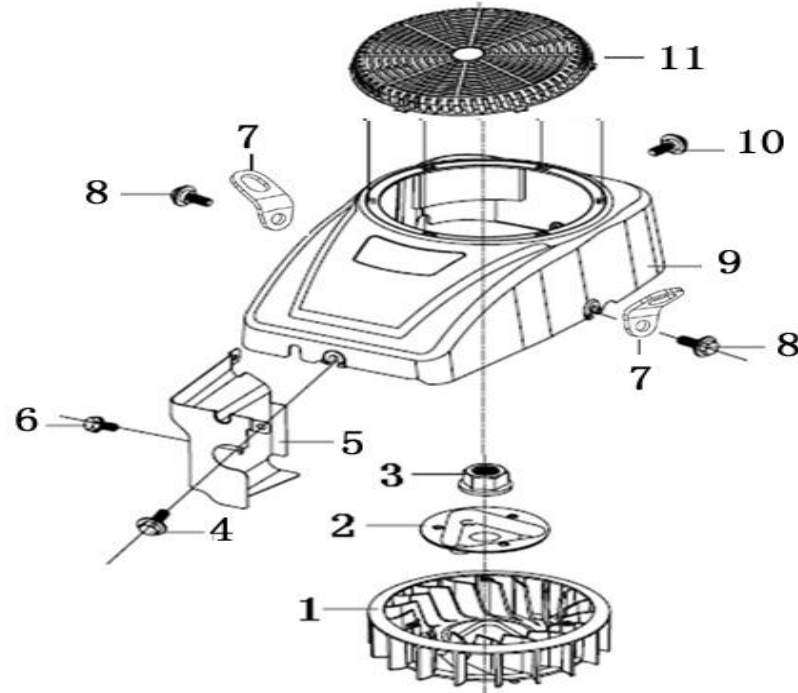


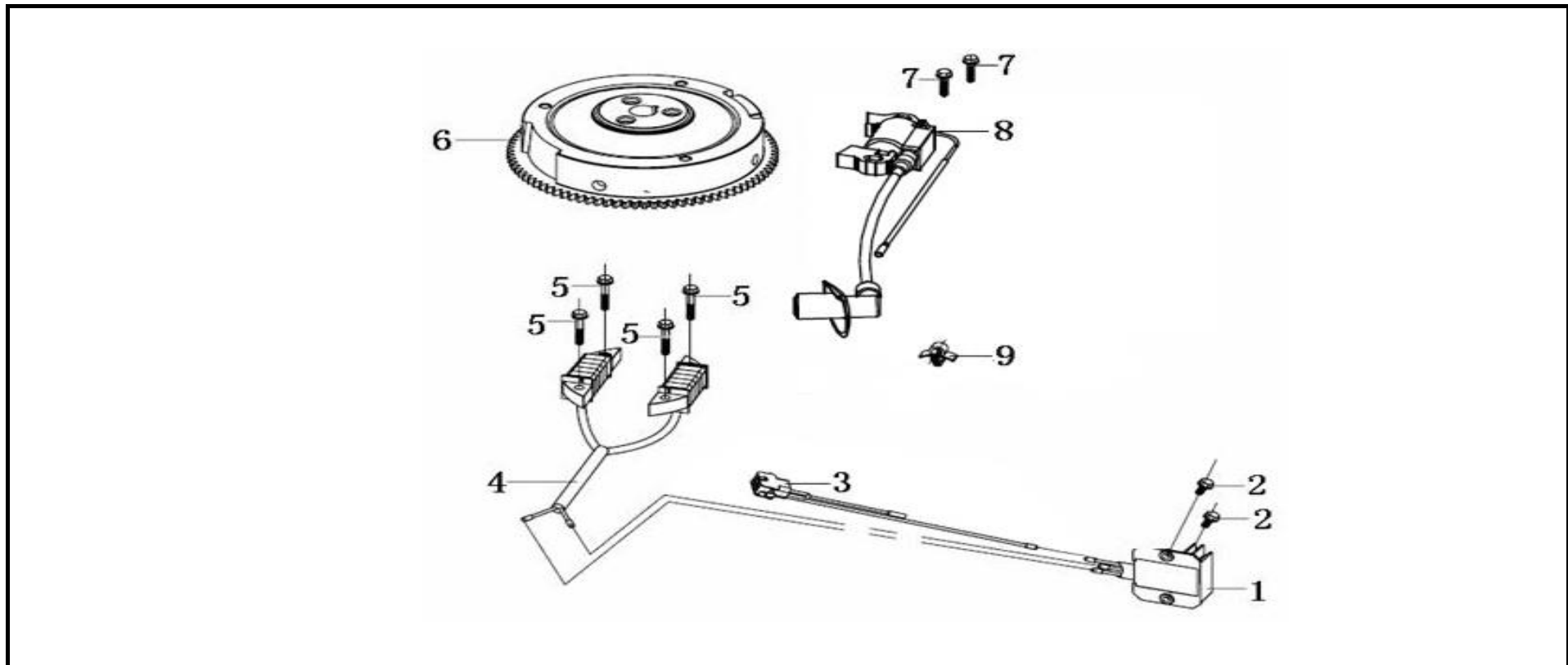
### Gear Box Assy

No.	Part No.	Description	Reqd. QTY
1	380600116-0001	Location pin	2
2	120150146-0001	Gasket for cylinder head	1
3	380180088-0001	Stud	2
4	120080436-0001	Cylinder head	1
5	270960028-0002	Spark plug	1
6	380140335-0001	Hexagon bolt with flange	4
7	120250079-0001	Gasket for cylinder head cover	1
8	120230155-0001	Cylinder head cover assy	1
9	380020070-0001	Hexagon shaft shoulder bolt	4



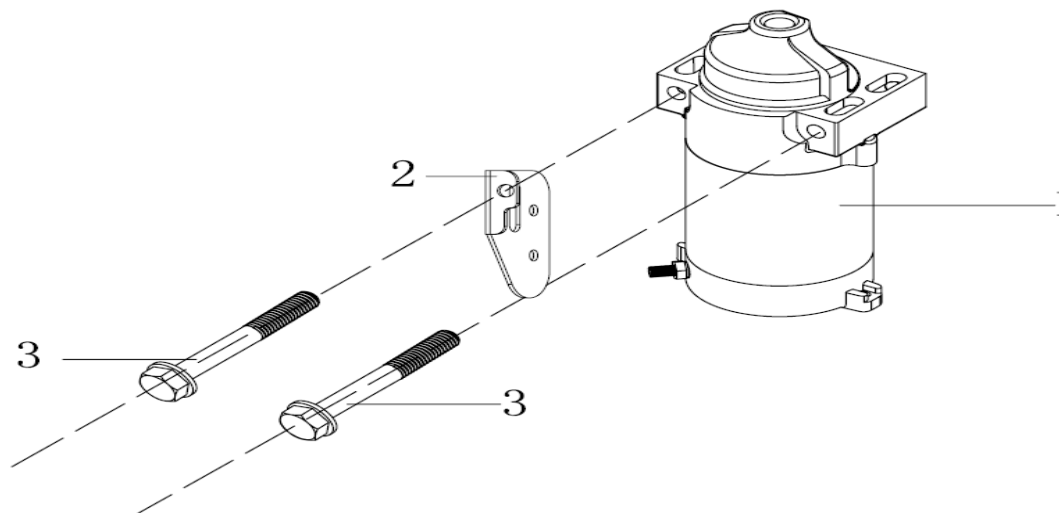
### Blower Housing

No.	Part No.	Description	Reqd. QTY
1	160180024-0001	Impeller	1
2	193590013-0001	Starting disc	1
3	380370079-0001	Hexagon nut with flange	1
4	380020087-0001	Hexagon shaft shoulder bolt	1
5	160190050-0001	air deflector	1
6	380140067-0003	Hexagon bolt with flange	1
7	120550026-0001	Lifting eye	2
8	380020070-0001	Hexagon shaft shoulder bolt	2
9	160210046-0001	Fan cover comp.	1
10	380020086-0001	Bolt,Hexagonal	1
11	195360009-0003	Starter outer cover	1



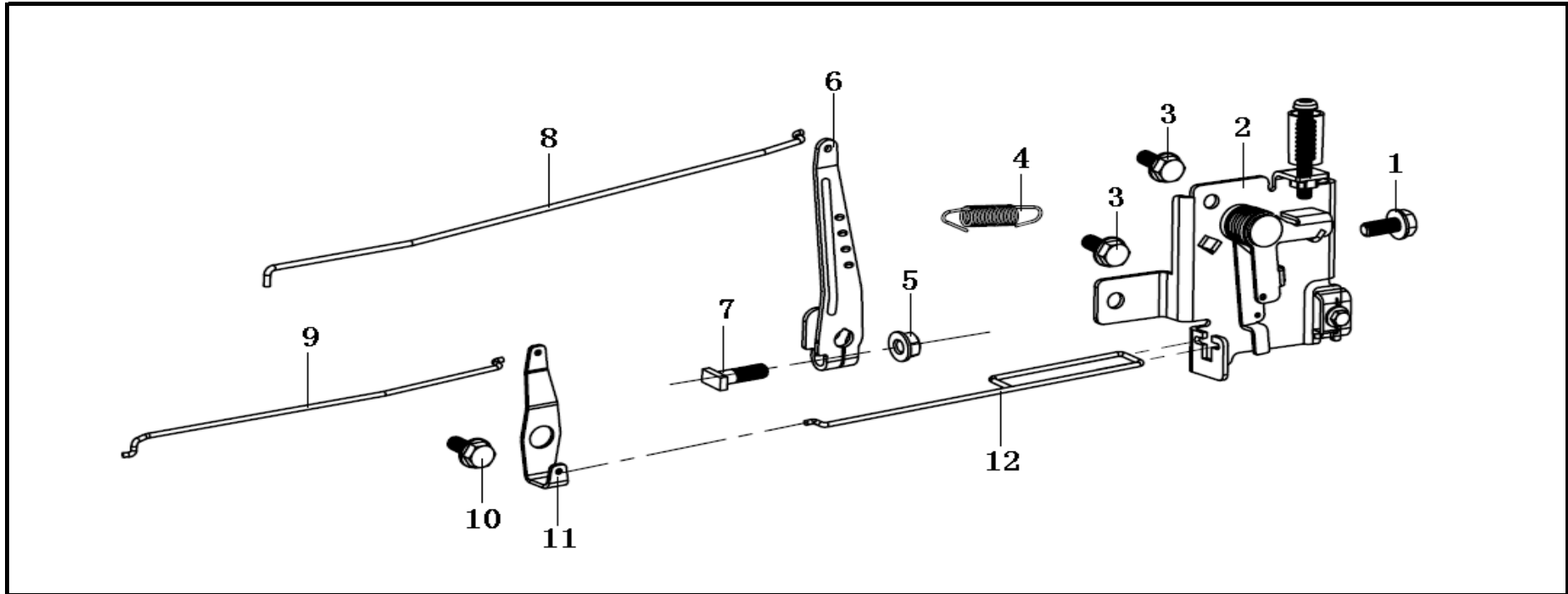
### Flywheel

No.	Part No.	Description	Reqd. QTY
1	270880173-0001	RectifierVariable voltage rectifier	1
2	380140067-0003	Hexagon bolt with flange	2
3	271280141-0002	Connecting wire	1
4	270190031-0001	Components of charging current armature	1
5	380140054-0003	Hexagon bolt with flange	4
6	270020229-0001	FLYWHEEL COMP	1
7	380140103-0004	Hexagon bolt with flange	2
8	270920251-0004	COIL ASSY.,IGNNTION	1
9	380930113-0001	Location wire nail	1



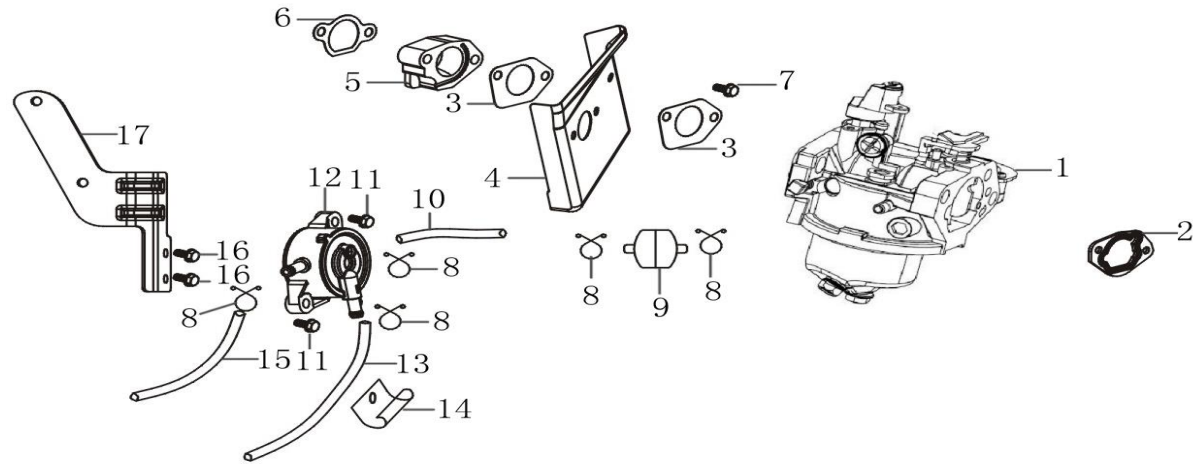
### Starting Motor Assy

No.	Part No.	Description	Reqd. QTY
1	270360132-0004	Components of starting motor	1
2	270910008-0001	rectifier voltage regulator Support	1
3	380140453-0001	Hexagon bolt with flange	2



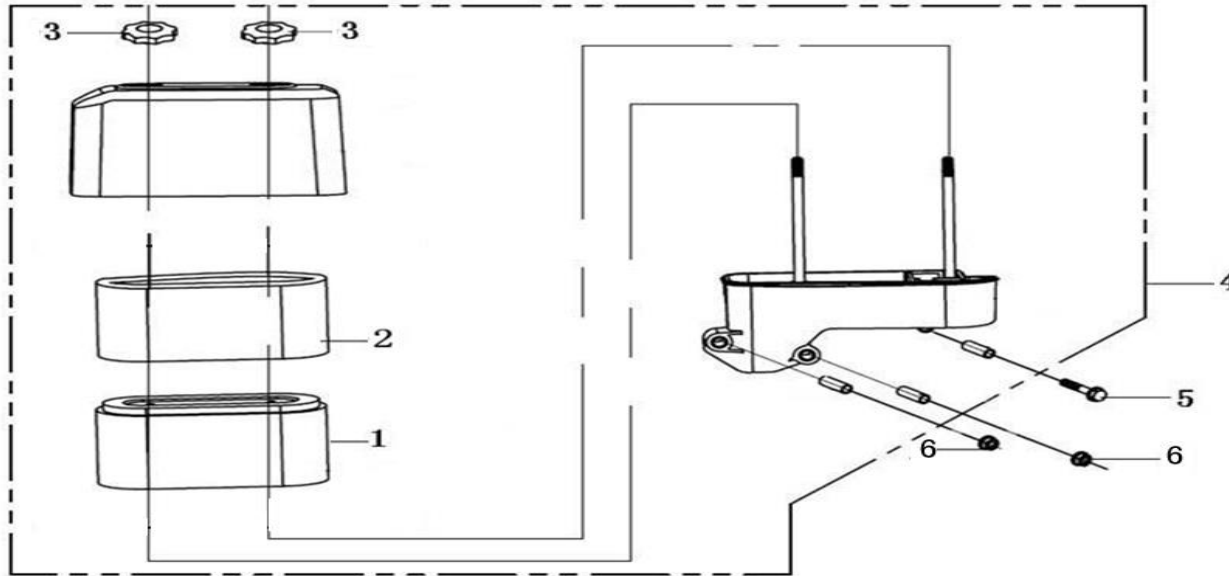
### Governor

No.	Part No.	Description	Reqd. QTY
1	380140013-0005	Hexagon bolt with flange	1
2	171680158-0001	Throttle handle combination	1
3	380140209-0001	Hexagon bolt with flange	2
4	171600020-0001	Governing spring	1
5	380370066-0001	Hexagon nut with flange	1
6	171620013-0003	Speed regulating bracket	1
7	380250002-0001	Square head set screw with flat point	1
8	171590013-0001	Throttle rod	1
9	171490002-0001	Choke valve bar	1
10	380020071-0001	Hexagon shaft shoulder bolt	1
11	171480013-0001	Choke valve bracket	1
12	171650003-0001	Choke valve pull rod	1



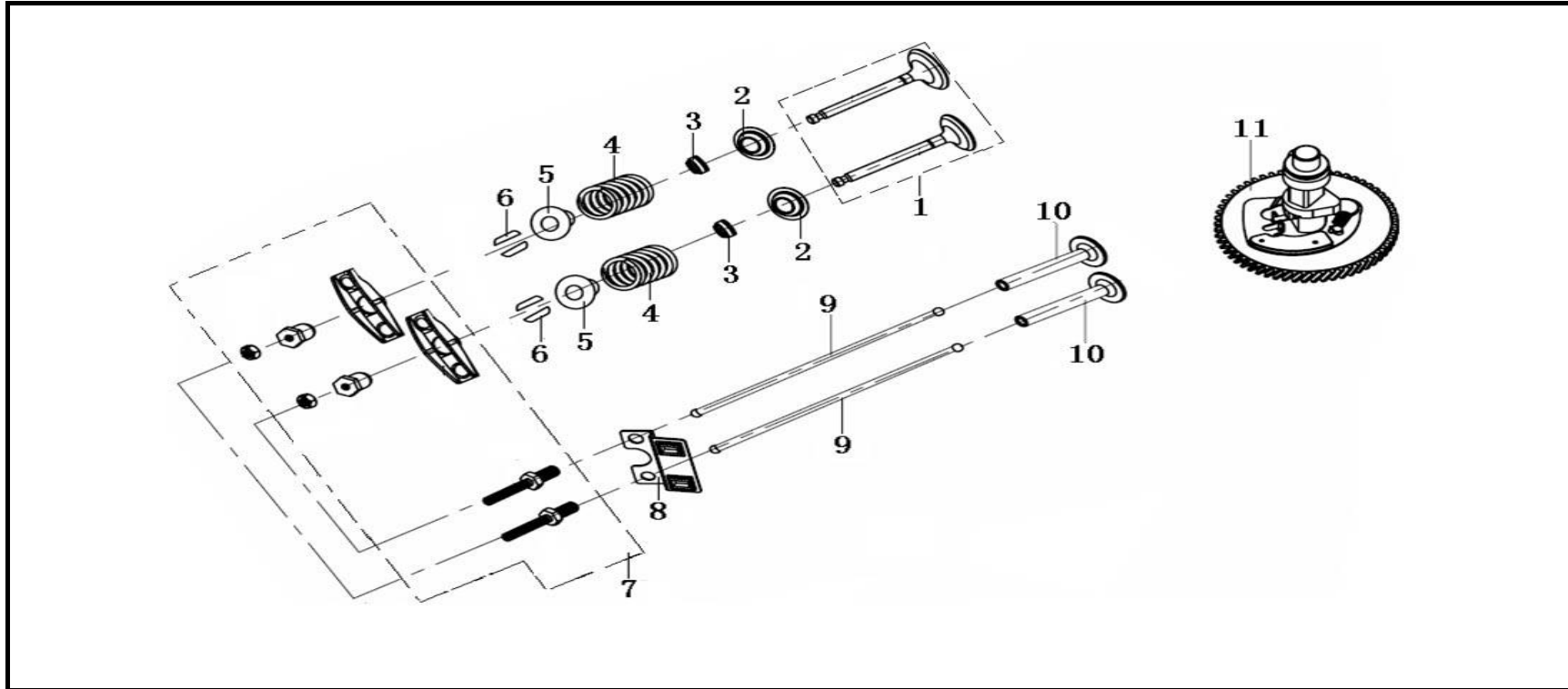
### Carburetor With Pump

No.	Part No.	Description	Reqd. QTY
1	170021557-0001	Carburetor	1
2	170430173-0001	Carburetor gasket	1
3	170430099-0001	Carburetor gasket	2
4	160190049-0001	air deflector	1
5	170440053-0001	Heat insulating pad for carburetor	1
6	170430101-0001	Carburetor gasket	1
7	380140067-0003	Hexagon bolt with flange	1
8	380950193-0002	Pipe clip	2
9	170010018-0001	Fuel filter	1
10	380750200-0002	Oil tube	1
11	380140013-0005	Hexagon bolt with flange	2
12	170460026-0001	Gasoline pump	1
13	380750188-0002	Oil tube	1
14	380950431-0001	Pipe clip	1
15	380750336-0002	Oil tube	1
16	380140077-0005	Hexagon bolt with flange	2
17	170470005-0001	Gasoline pump bracket	1



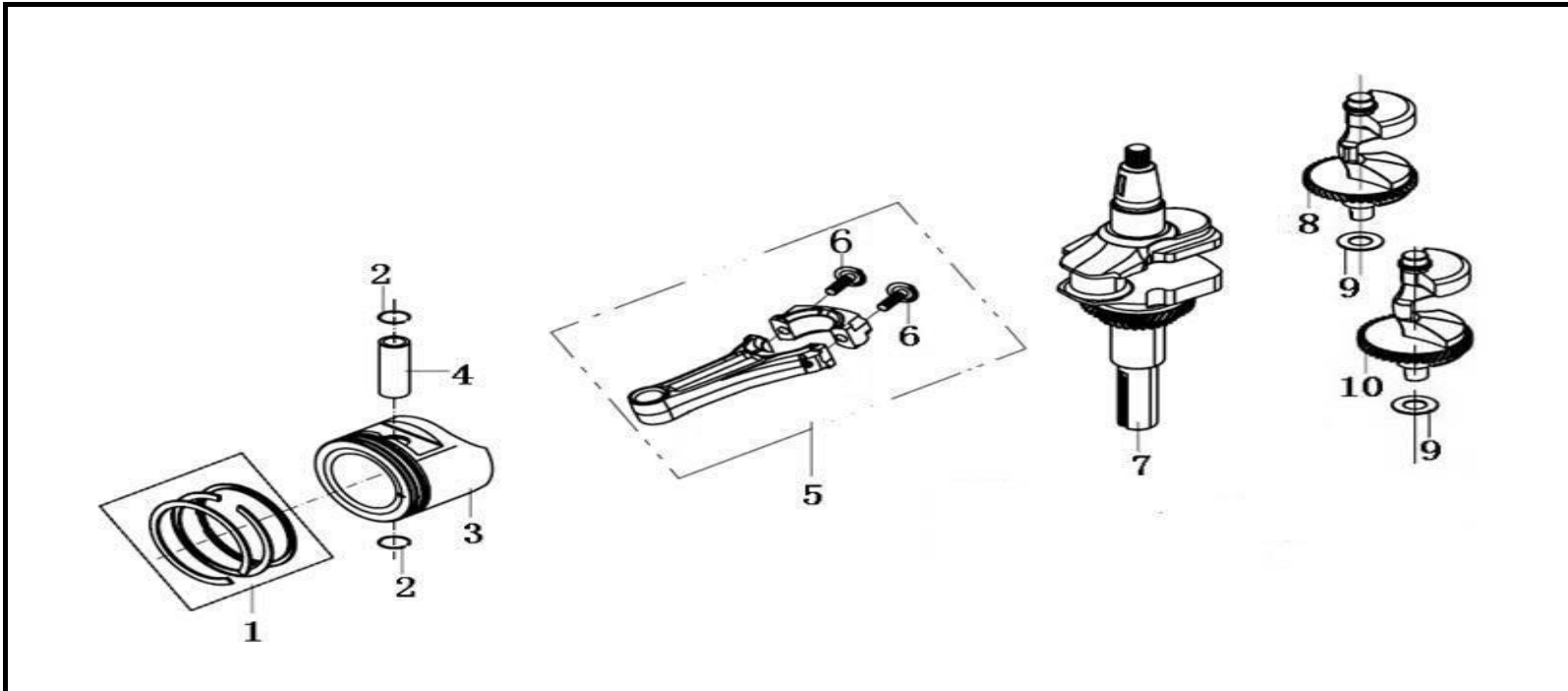
**Air Cleaner**

No.	Part No.	Description	Reqd. QTY
1	180130188-0001	Air filter element	1
2	180130187-0001	Air filter element	1
3	181950006-0001	Bolt handle	2
4	180020633-0001	Air filter	1
5	380140100-0003	Hexagon bolt with flange	1
6	380370066-0001	Hexagon nut with flange	2



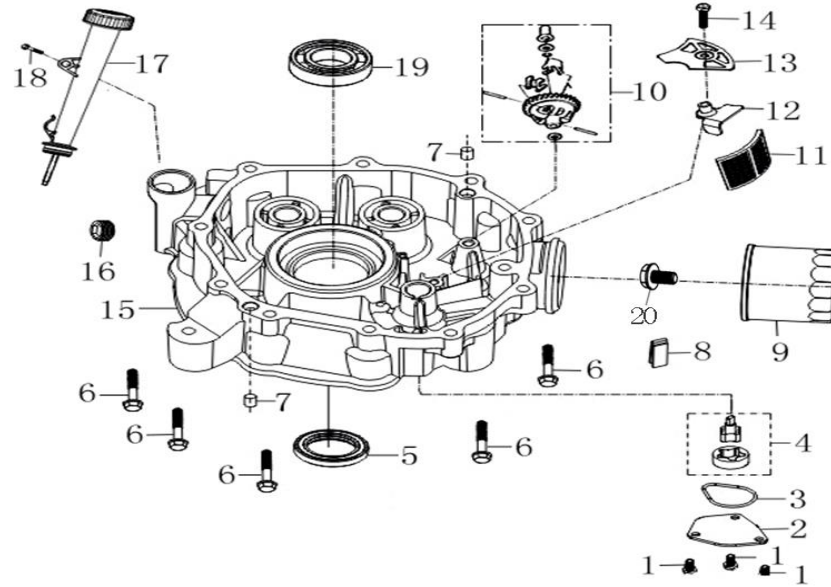
### Valve

No.	Part No.	Description	Reqd. QTY
1	500550039-0001	Valve Kit	1
2	140360010-0001	Seat, valve spring	1
3	140400012-0001	Valve oil seal	2
4	140340025-0001	Inner spring of valve	2
5	140380021-0001	Retainer, valve spring	2
6	140390015-0001	Valve locker	2
7	140450041-0001	Valve rocker combination	4
8	140710011-0001	Plate, push rod guide	2
9	140670030-0001	Push rod	2
10	140690004-0001	Lifter, Valve	2
11	140020055-0001	Camshaft assy	2



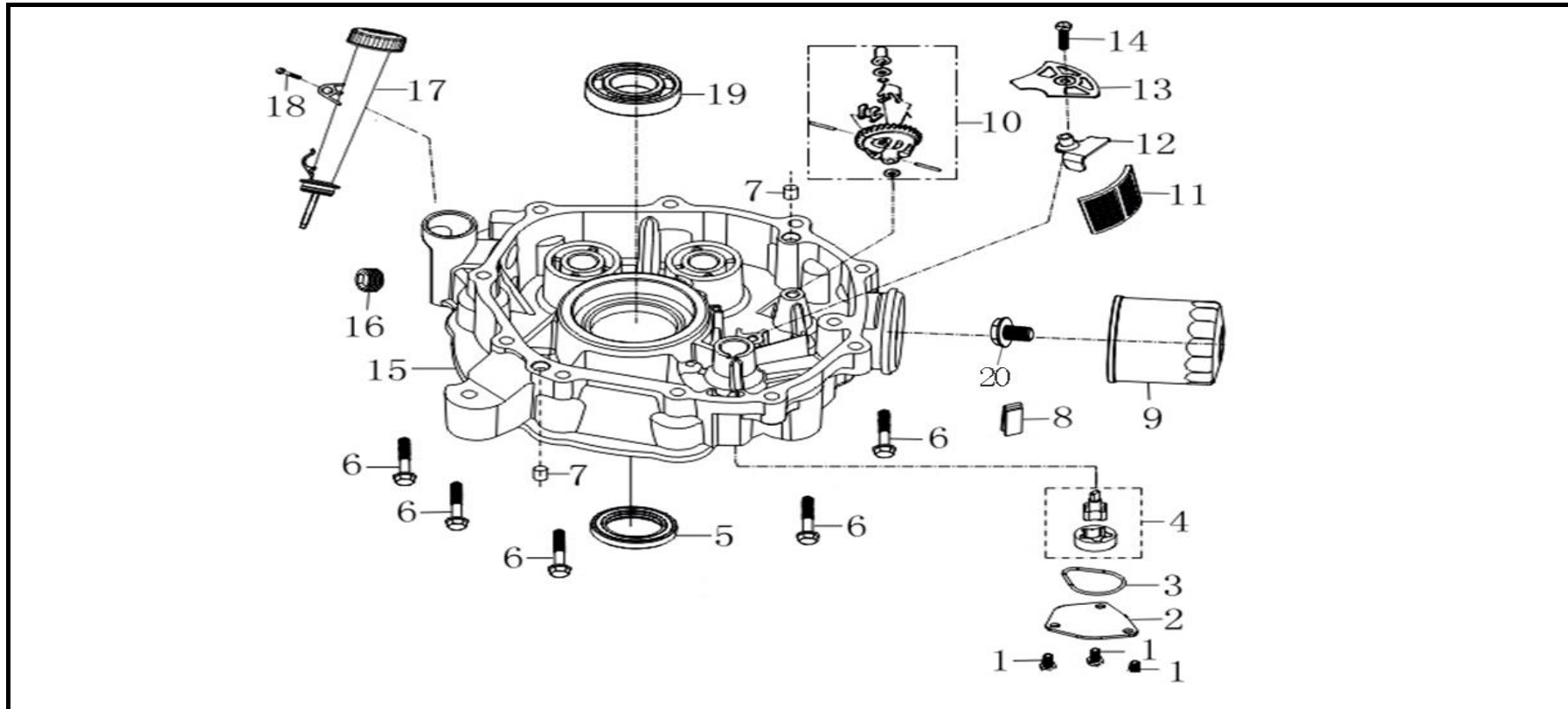
### Crankshaft

No.	Part No.	Description	Reqd. QTY
1	130070103-0001	Piston ring combination	1
2	380560057-0001	Steel cable baffle ring	2
3	130030311-0001	Piston	1
4	130060034-0001	Piston pin	1
5	130150185-0001	Connecting rod	1
6	130180033-0001	Connecting rod bolt	2
7	130290102-0001	crankshaft	1
8	130450033-0001	Balancing shaft	1
9	380450560-0001	Flat washer	2
10	130450034-0001	Balancing shaft	1



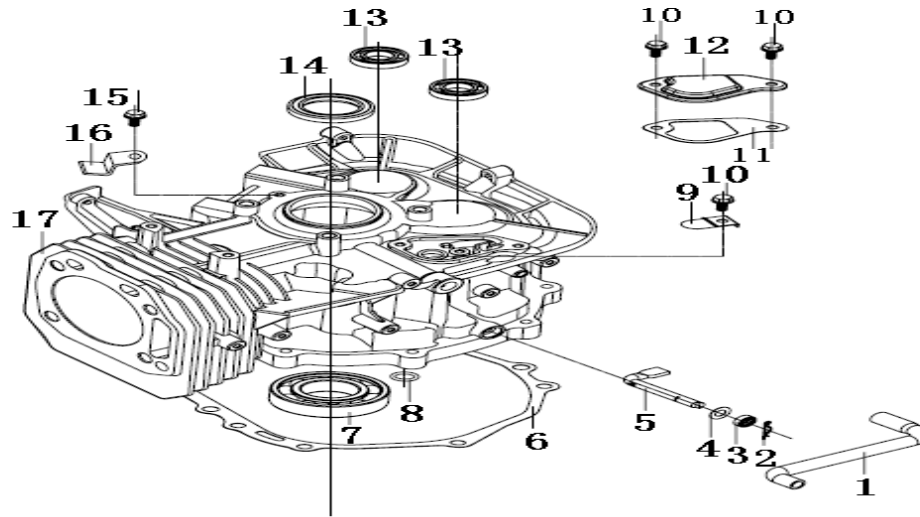
### Crankshaft Cover

No.	Part No.	Description	Reqd. QTY
1	380140013-0005	Hexagon bolt with flange	3
2	150040019-0001	Oil pump cover	1
3	380840467-0001	Seal ring	1
4	150010073-0001	Components of oil pump	1
5	380650337-0001	Oil seal	1
6	380140447-0001	Hexagon bolt with flange	10
7	380600123-0001	ocation pin	2
8	150570003-0001	Engine oil return block	1
9	150350046-0002	Oil filter	1
10	171750046-0001	Components of governor gear	1
11	150290022-0001	Engine oil Strainer	1
12	120530002-0001	Pressing plate for oil groove	1
13	150340013-0001	Cover,Oil Strainer	1
14	380140103-0004	Hexagon bolt with flange	1



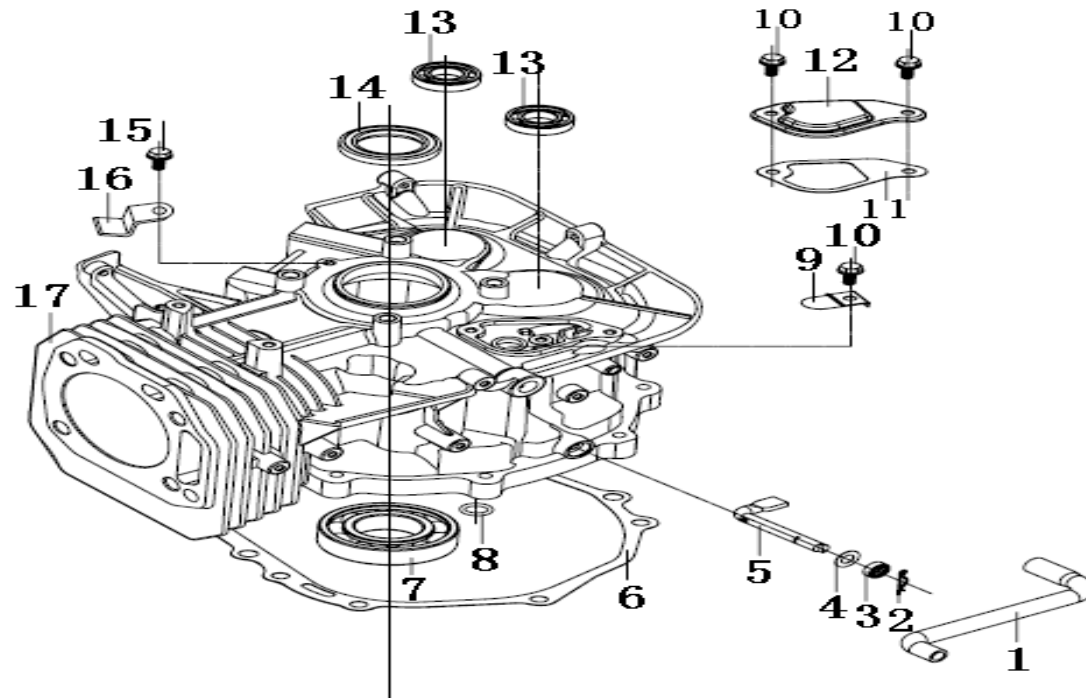
**Crankshaft Cover**

No.	Part No.	Description	Reqd. QTY
15	110820222-0001	Crankcase cover	1
16	110260088-0001	Sealing plug screw	1
17	110690048-0001	Oil rule combination	1
18	380140100-0003	Hexagon bolt with flange	1
19	380630141-0002	Bearing	1
20	150840002-0002	Oil filter Mounting bolts	1



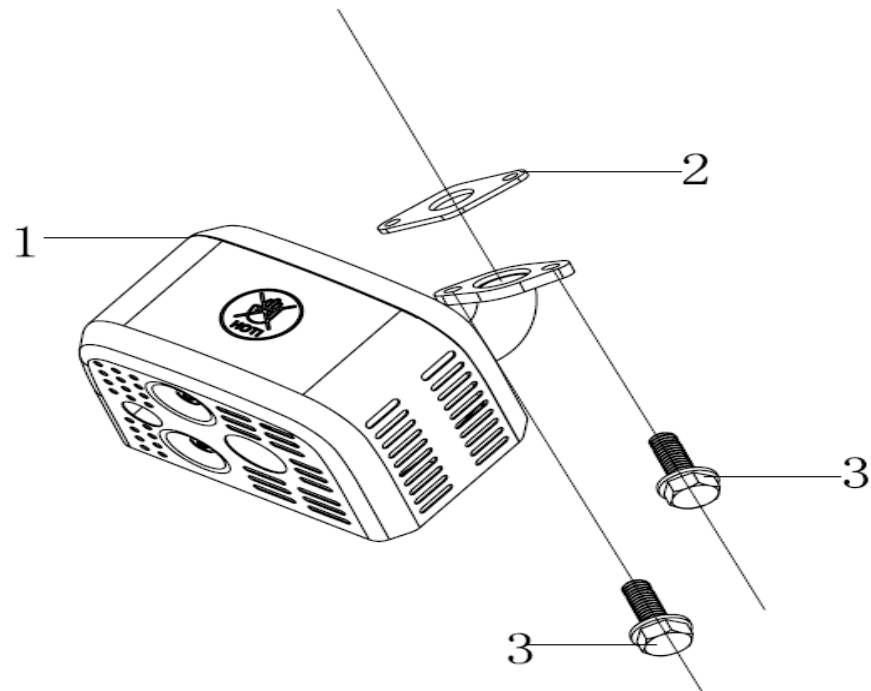
### Crank Case Comp

No.	Part No.	Description	Reqd. QTY
1	380740462-0002	Breather tube	1
2	381350004-0001	Pin clip	1
3	380650339-0001	Oil seal	1
4	380450559-0001	Flat washer	1
5	171630020-0001	Speed regulating arm	1
6	110830037-0001	Crankcase cover gasket	1
7	380630141-0002	Bearing	1
8	380840443-0001	Seal ring	1
9	140250006-0001	Leaf valve	1
10	380140067-0003	Hexagon bolt with flange	3
11	110850004-0001	PACKING, BREATHER CHAMBER	1
12	110840005-0001	CAP,BREATHER CHAMBER	1
13	380630026-0001	Bearing	2
14	380650337-0001	Oil seal	1



**Crank Case Comp**

No.	Part No.	Description	Reqd. QTY
15	380140209-0001	Hexagon bolt with flange	1
16	110480024-0001	Pressing plate	1
17	110810167-0001	Crankcase body	1



### Muffler

No.	Part No.	Description	Reqd. QTY
1	180572103-0001	Muffler	1
2	180650074-0001	Outlet gasket	1
3	380190168-0001	Socket head screw	2