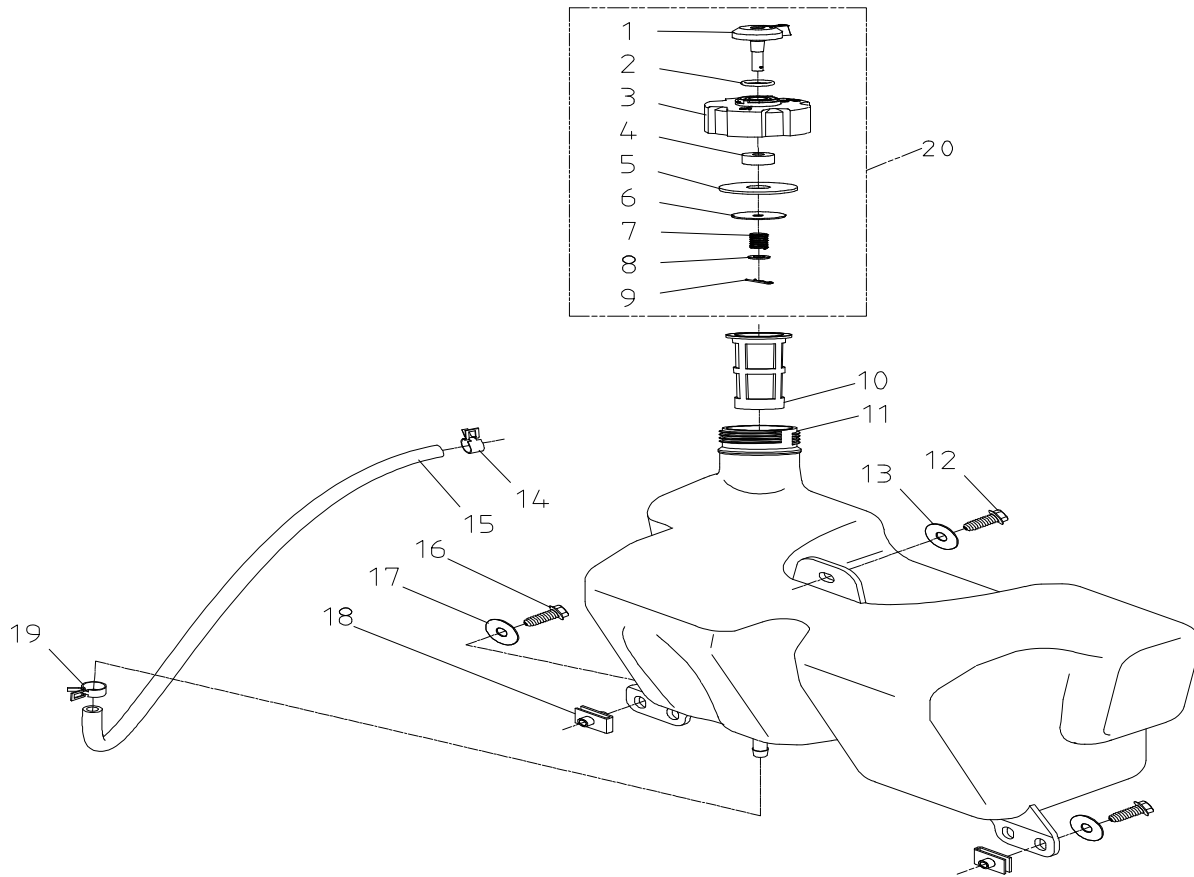


1. ENGINE LC-452H

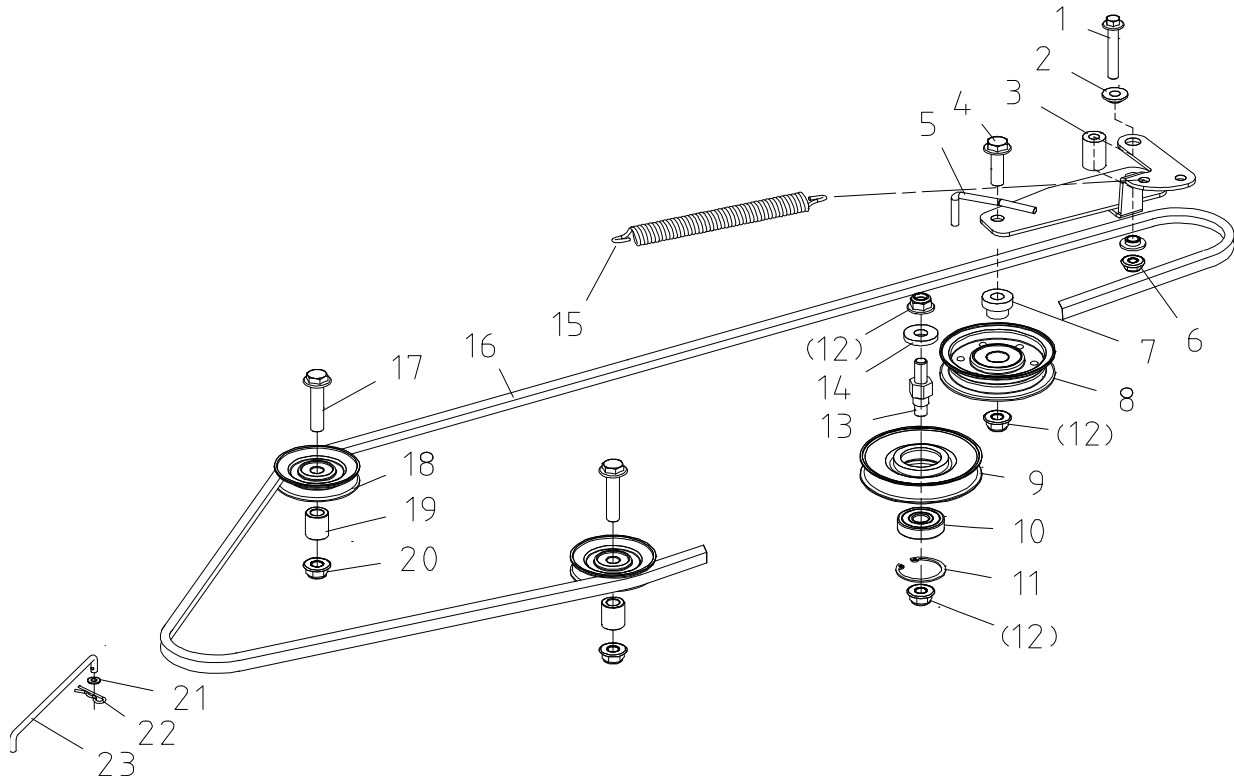
DRW. NO.	PARTS DESCRIPTION (EN)	Q'TY	CODE
1	CHOKE KNOB		20084362
2	SCREW M4×16	2	20051803
3	WASHER 4	2	20061531
4	THROTTLE CABLE	1	20071241
5	ENGINE LONCIN 452cc	1	20071183
6	TAPPING SCREW 3/8"-16-1 1/4"	4	20061285
7	FLAT KEY 6.35×30	1	20070519
8	ENGINE PULLEY WELDMENT	1	20071187
9	WASHER 6	1	20061482
10	FLANGE LOCK NUT M6	1	20061385
11	ELECTRIC CLUTCH	1	20085206
12	CLUTCH STEP COVER		
13	SPRING WASHER 7/16"	1	20061455
14	ENGINE AXIAL BOLT 7/16-20UNF	1	20071189

15	CLUTCH CLAMP PLATE		20085121
16	FLANGE LOCK NUT M8	3	20061348
17	CLUTCH PLATE WELDMENT	1	
18	BOLT M8×20	2	20061299
19	FLANGE BOLT M8×16	1	20084341
20	EXHAUST PIPE	1	20074428
21	SCREW 5/16"-18 -3/4"	2	20060850
22	SPRING WASHER 5/16"	2	20061453
23	WASHER 8	1	20061431
24	GASKET	1	20070868
25	MUFFLE	1	20071214
26	BOLT M6×16	2	20061184
27	SPRING WASHER 6	6	20061487
28	BIG WASHER 6	6	20061539
29	FLANGE BOLT M6×20	2	20061182
30	FRONT SHIELD	1	20071219
31	WASHER $\Phi 6.2 * \Phi 12 * 6$	2	
32	FLANGE LOCK NUT M6	2	20061346
33	FLANGE BOLT 5/16-18TX3/4	2	20082799
34	BIG WASHER 8	2	20061541
35	BRACKET	1	20084296



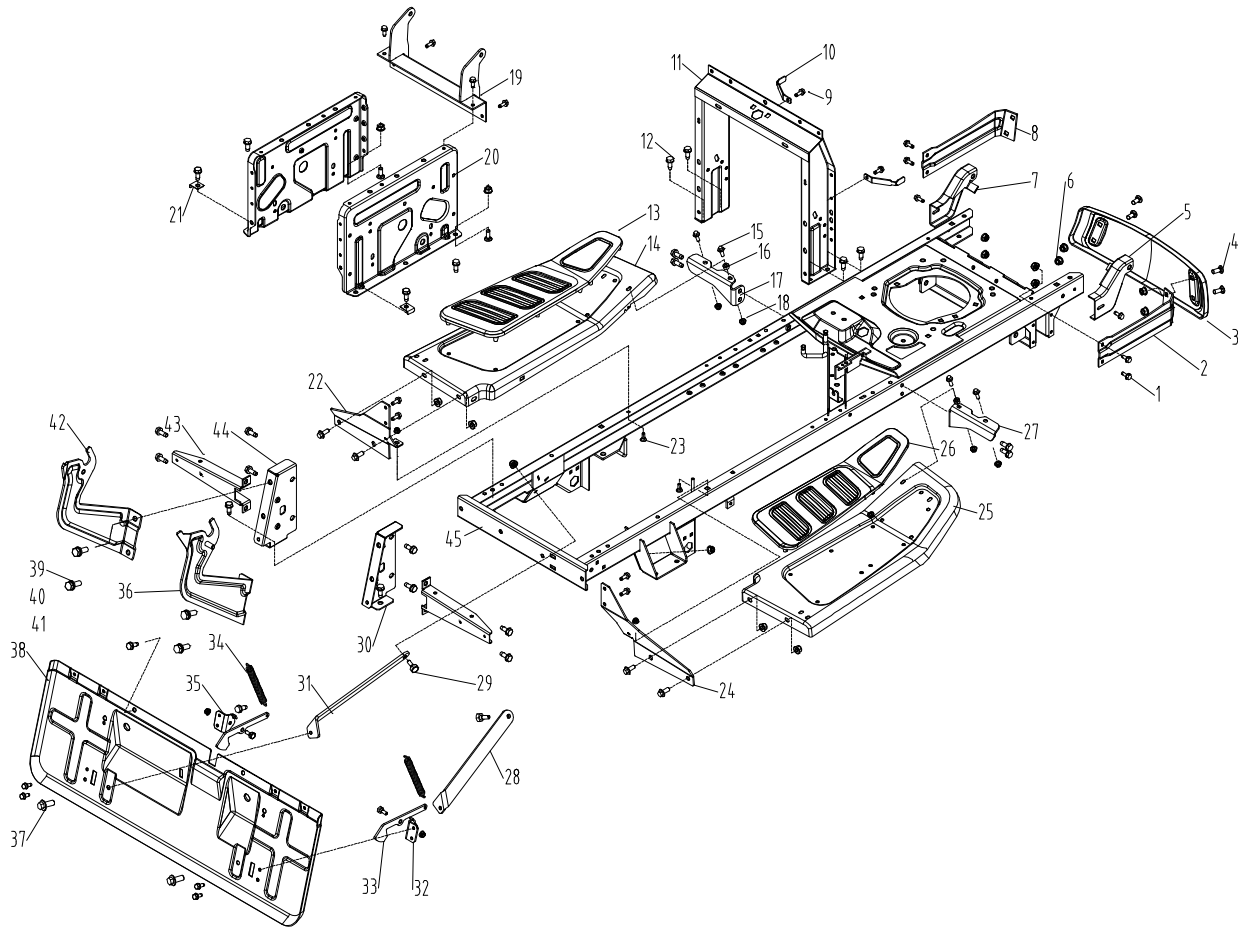
2. FUEL TANK

DRW. NO.	PARTS DESCRIPTION (EN)	Q'TY	CODE
1	FUEL TANK CAP LEVER	1	20059754
2	O RING	1	20071493
3	FUEL TANK CAP	1	20059760
4	FUEL TANK CAP FILTER	1	20059763
5	FUEL TANK CAP SEAL	1	20071494
6	GASKET 6×25×1.5	1	20071676
7	FUEL TANK CAP SPRING	1	20059764
8	WASHER 5	1	20061445
9	SPLIT PIN	1	20059765
10	FILTER CAP	1	20059766
11	FUEL TANK	1	20071228
12	TAPPING SCREW M6*16	1	20082800
13	GASKET 6×25×1.5	1	20071676
14	CLIP φ10	1	20062744
15	FUEL HOSE	1	20070865
16	BOLT M6×20	2	
17	WASHER 6	2	20061460
18	BUCKLE NUT M6	9	20070630
19	CLIP φ10	1	20071161
20	FUEL TANK CAP ASY		20071747



3. DRIVING SYSTEM

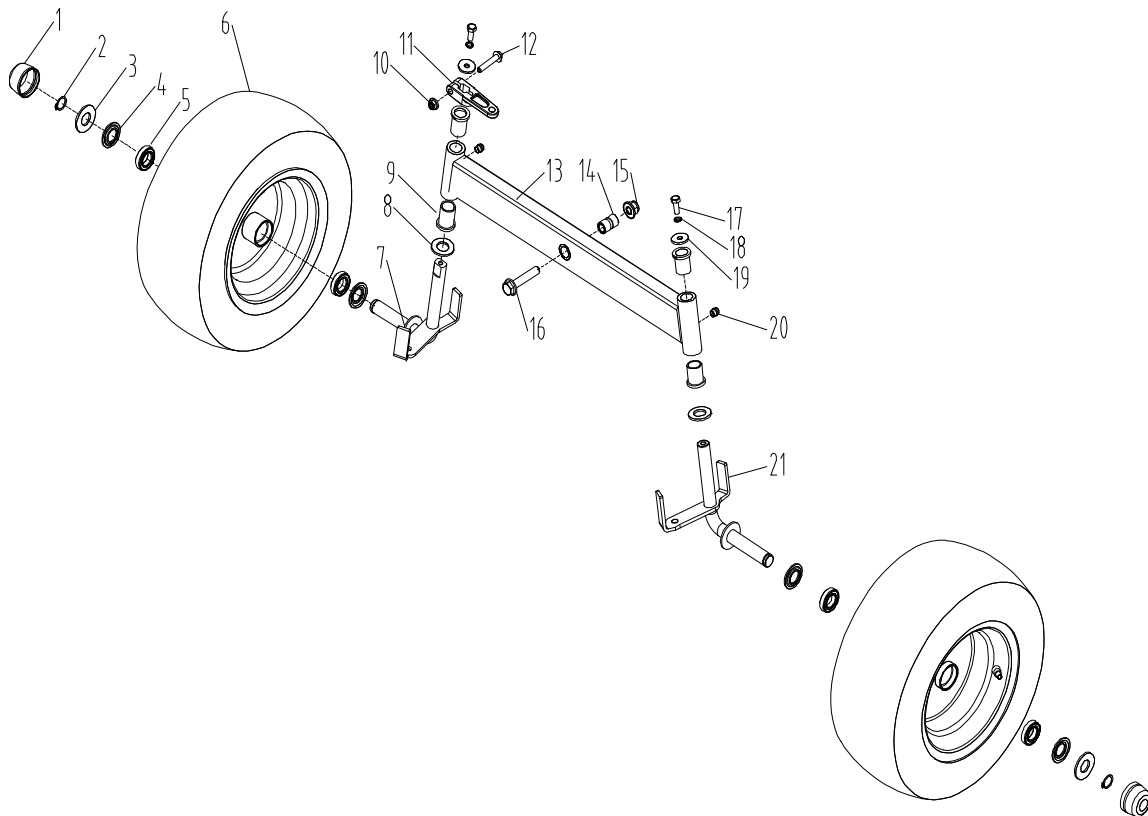
DRW. NO.	PARTS DESCRIPTION (EN)	Q'TY	CODE
1	FLANGE BOLT M8×60	1	20061275
2	TENSION ARM BUSHING	2	20084446
3	SPACER $\phi 8 \times \phi 18 \times 33$	1	20084436
4	FLANGE BOLT M10×1.25×40	1	20062521
5	DRIVING TENTION ARM WELDMENT	1	20084440
6	FLANGE NUT M8	1	20061336
7	TENTION PULLEY BUSHING	1	20071180
8	TENTION PULLEY	1	20071213
9	TENTION PULLEY	1	20070536
10	BEARING 6301-2RS	1	20061626
11	SNAP RING 37	1	20061549
12	FLANGE LOCK NUT M10×1.25	3	20061405
13	TENSION PULLEY BOLT	1	20084441
14	WASHER $\phi 27 \times \phi 10.5 \times 5$	1	20062499
15	SPRING	1	20070875
16	V BELT	1	20085198
17	FLANGE BOLT M10×1.25×50	2	20062515
18	DRIVING GUIDE PULLEY	2	20071208
19	GUIDE PULLEY CUSHION SLEEVE	2	20084442
20	LOCK NUT M10×1.25	2	20061403
21	WASHER 5	1	20061445
22	COTTER PIN	1	20070582
23	PUSH ROD	1	20085193



4. RD FRAME

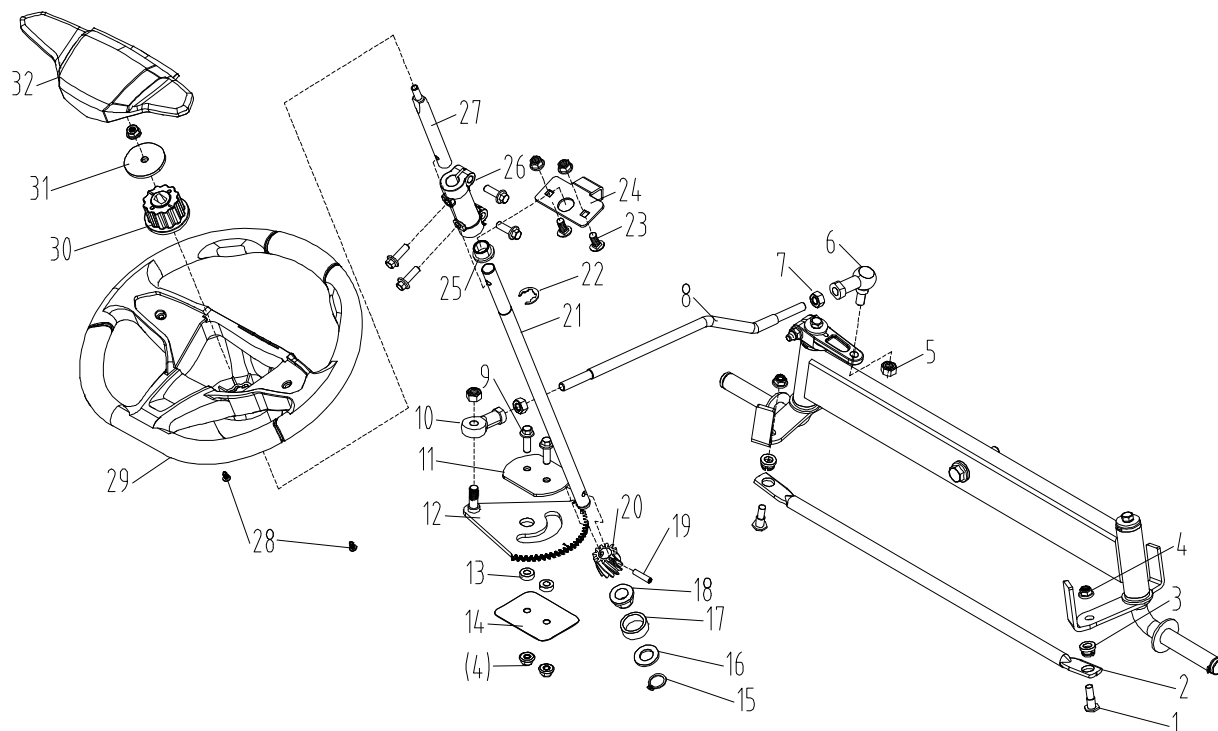
DRW. NO.	PARTS DESCRIPTION (EN)	Q'TY	CODE
1	FLANGE BOLT M8×20	8	20061274
2	RIGHT BAMPER ROD	1	20084410
3	BAMPER	1	20084402
4	BOLT M8×20	4	20061299
5	ENGINE COVER BRACKET RIGHT	1	20084375
6	FLANGE LOCK NUT M8	14	20061348
7	ENGINE COVER BRACKET LEFT	1	20084403
8	LEFT BAMPER ROD	1	20084378
9	HEXAGON WASHER LOCK SCREW 6×16	10	20082800
10	STEERING	2	20084384
11	STEERING BRACKET	1	20084401
12	FLANGE BOLT 5/16-18TX3/4	24	20082799
13	LEFT FOOT PAD	1	20084388
14	LEFT PEDAL	1	20084429
15	FLANGE BOLT M6×25	4	20061196
16	BUSHING	2	20070916
17	PEDAL FRONT SUPPORT LEFT	1	20084422
18	HEX FLANGE LOCK NUT M6	4	20061385
19	SEAT FRONT BEAM WELDMENT	1	20084417
20	SIDE PLATE	2	20084399
21		2	20084415

22	LEFT PEDAL HANGER	1	20084414
23	BOLT M8×20	2	20061299
24	RIGHT PEDAL HANGER	1	20084428
25	RIGHT PEDAL	1	20084430
26	RIGHT FOOT PAD	1	20084393
27	PEDAL FRONT SUPPORT RIGHT	1	20084427
28	BACK JACKSTAY RIGHT	1	20084412
29	STEP BOLT M8×20	2	20084421
30	TRAPEZOIDAL CONNECTING PLATE PLATE WELDMENT RIGHT	1	20084392
31	BACK JACKSTAY LEFT	1	20084418
32	HOOK BASE RIGHT	1	20084381
33	HOOK	2	20070646
34	SPRING	2	20070645
35	HOOK BASE LEFT	1	20084390
36	SWINGING FRAME RIGHT WELDMENT	1	20084420
37	HEXAGON BOLT M8×20,GB/T5783	2	20061291
38	REAR BAFFLE PLATE	1	20084387
39	HEXAGON BOLT M10×1.25×30,GB/T5786	4	20061316
40	SPRING WASHER 10	4	20061471
41	WASHER 10	4	20061513
42	SWINGING FRAME LEFT WELDMENT	1	20084419
43	TAILGATE BRACKET	2	20084385
44	TRAPEZOIDAL CONNECTING PLATE PLATE WELDMENT LEFT	1	20084396
45	CHASIS	1	20084782



5. FRONT BRIDGE

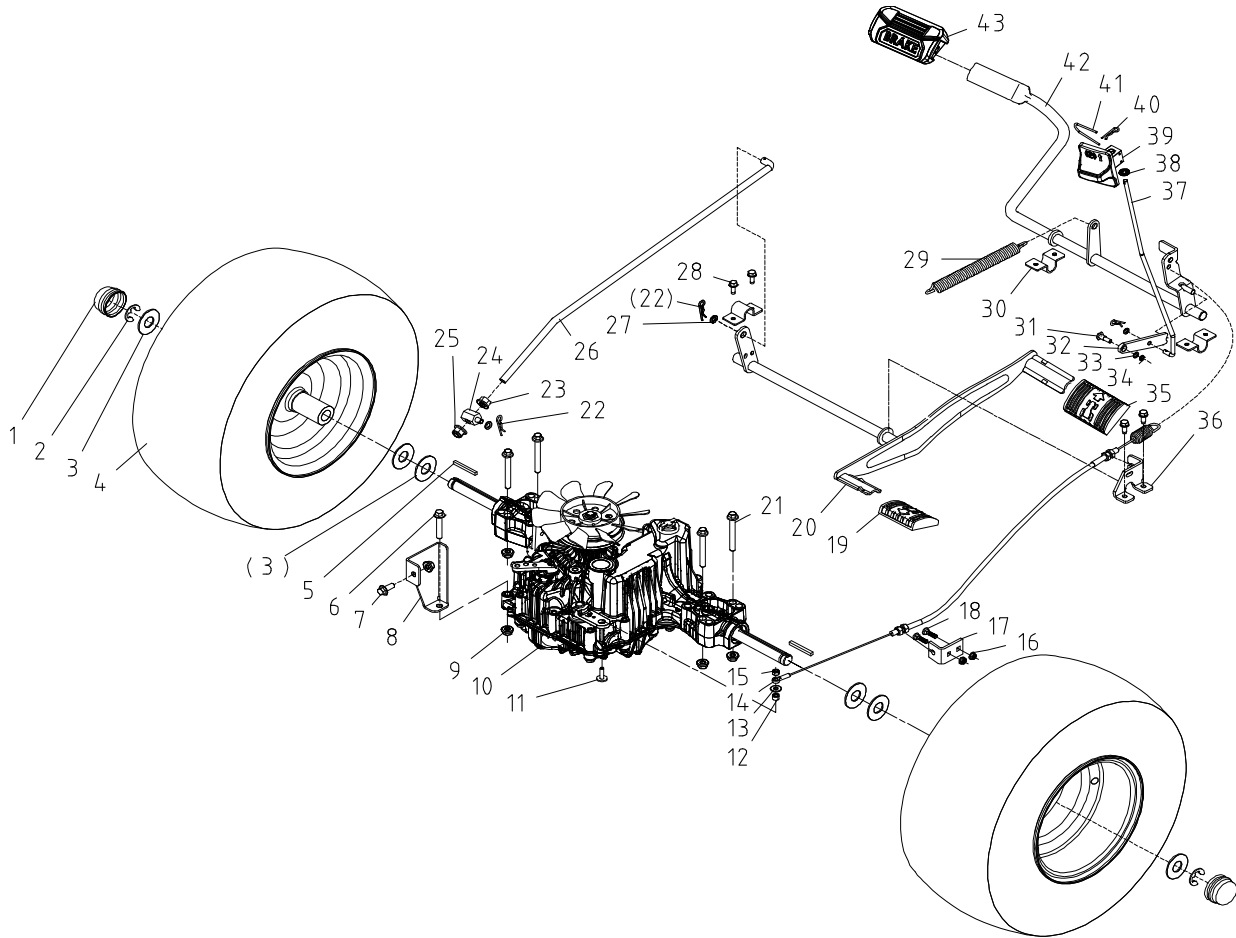
DRW. NO.	PARTS DESCRIPTION (EN)	Q'TY	CODE
1	HUB COVER	2	20068187
2	SNAP RING 19	2	20061488
3	WASHER $\varphi 20 \times \varphi 43 \times 3$	2	20071143
4	WASHER	4	20071144
5	BEARING 61904-2RZ	4	20061595
6	FRONT WHEEL ASSEMBLY	2	20061665
		2	20071148
		2	20071149
7	L-STUBE AXLE WELDMENT	1	20084372
8	WASHER 20	2	20061444
9	BUSHING	4	20070566
10	FLANGE LOCK NUT M8	1	20061348
11	TURNING ARM	1	20070941
12	FLANGE BOLT M8×45	1	20061256
13	FRONT AXLE WELDMENT	1	20084364
14	LINER TUBE	1	20084370
15	FLANGE LOCK NUT M12×1.25	1	20061359
16	FLANGE BOLT M12×1.25×55	1	
17	BOLT M8×20	2	20061291
18	SPRING WASHER 8	2	20061533
19	WASHER	2	20055114
20	OIL INJECTION NOZZLE	2	20061649
21	R-STUBE AXLE WELDMENT	1	20084367



6. STEERING

DRW. NO.	PARTS DESCRIPTION (EN)	Q'TY	CODE
1	PIN SCREW M8×28	2	20084459
2	STEERING TIE ROD	1	20084456
3	ELASTIC RUBBER BUSH	2	20084462
4	FLANGE LOCK NUT M8	7	20061348
5	LOCK NUT M10×1.25	2	20061403
6	JOINT BEARING M10	1	20061630
7	NUT M10	2	20061399
8	STEERING DRAG ROD	1	20084461
9	FLANGE BOLT M8×25	6	20061298
10	JOINT BEARING SIJK10C	1	20061641
11	DOUBLE HOLE BOARD	1	20070942
12	STEERING GEAR PLATE WELDMENT	1	20084464
13	BUSHING	2	20070932
14	TIE PLATE	1	20070939
15	SNAP RING 15	1	20061548
16	WASHER 16	1	20061437
17	BUSHING	1	20071127
18	HEXAGON BUSHING	1	20070612
19	PIN 6×26	1	20061569
20	STEERING GEAR LEFT	1	20084457/ 20083933
21	STEERING COLUMN	1	20084458/20083935
22	SNAPRING 15	1	20061430
23	SCREW M8×20	2	20061299
24	SQUARE HOLE CARD BOARD	1	20084463
25	HATCH BUSHING	1	20082643
26	COUPLING BAND	1	20083389
27	STEERING WHEEL ROD A	1	20084465
28	TAPPING SCREW ST5.5x16	2	20051824

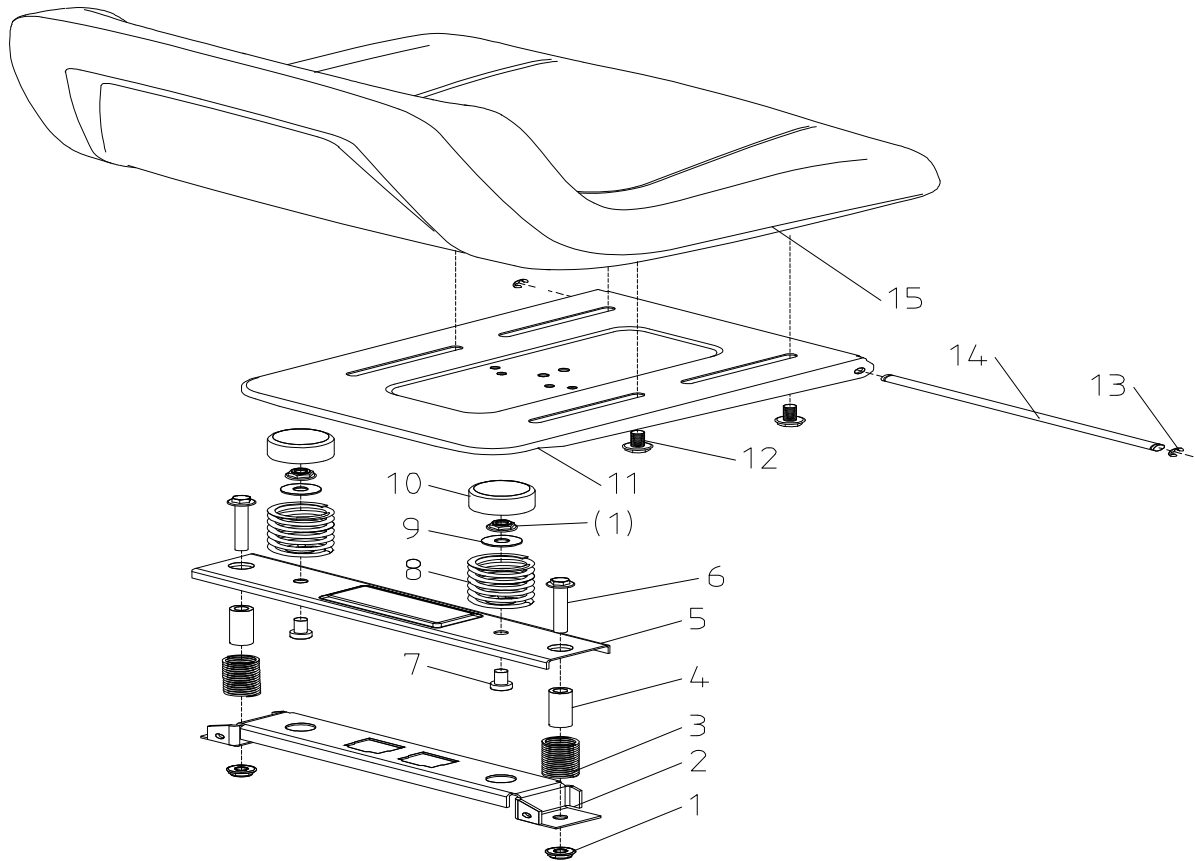
29	STEERING WHEEL	1	20082653/20082707
30	SPLINE HOUSING	1	20079969
31	WASHER	1	20082683
32	STEERING WHEEL CAP	1	20085173



7. HYDRO SHIFT & BRAKE

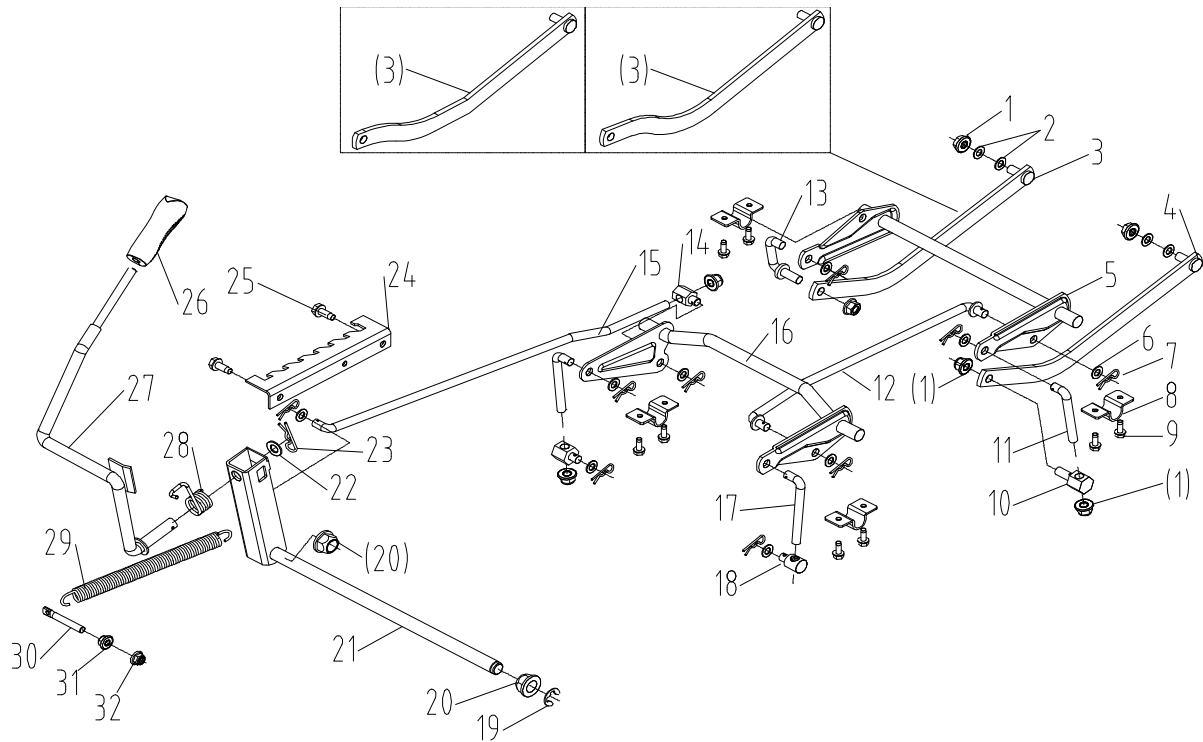
DRW. NO.	PARTS DESCRIPTION (EN)	Q'TY	CODE
1	HUB COVER	2	20068187
2	RETAINER RING 15	2	20061430
3	WASHER $\phi 20 \times \phi 43 \times 3$	6	20071143
4	REAR WHEEL ASSEMBLY	2	20060810
		2	20061665
		2	20061665
5	FLAT KEY 4.85×60	2	20071174
6	ŚRUBA Z KOŁNIERZEM M8×40	1	20061254
7	ŚRUBA Z KOŁNIERZEM M8×20	1	20061274
8	HYDRAULIC CRIDGE REAR FIXING PLATE	1	20085236
9	FLANGE LOCK NUT M8	6	20061348
10	TRANSAXLE, HYDRO, TTC, K46DR	1	20062247
11	SCREW M6X20	1	20060858
12	SLEEVE $\phi 10 \times \phi 6.2 \times 6.5$	1	20085195
13	BIG WASHER 6	2	
14	BRAKE CABLE	1	20085191
15	LOCK NUT M6	1	20061421
16	FLANGE LOCK NUT M6	2	20061385
17	CABLE SUPPORT	2	20085192
18	BOLT M6X16	2	20061289
19	REVERSE PEDAL	1	20068229

20	FOOT PEDEL LEVEL WELDMENT	1	20084591
21	ŚRUBA Z KOŁNIERZEM 8×65	4	20061310
22	SPRING PIN	4	20070576
23	HEX NUT 10X1.25	4	20061369
24	PULL ROD PIN	1	
25	LOCK NUT M10×1.25	1	20061403
26	WALKING ROD	1	
27	WASHER 10	1	20061497
28	LOCK SCREW 6×16	8	20082800
29	BRAKE RESET TENSION SPRING	1	20084574
30	U-SHAPED CLAMP	3	20084532
31	BRAKE AXLE PIN	1	20084575
32	BRAKE PLATE	1	20084590
33	WASHER Φ8	1	20061431
34	SPRING WASHER 8	1	20061533
35	FORWARD PEDAL	1	20068230
36	CABLE FIXING PLATE	1	20084585
37	BRAKE LEVEL	1	20084595
38		1	20062405
39	BRAKE HANDLE RAL3020	1	20084583
40	COTTER PIN	3	20070582
41	U BOLT	1	20084581
42	BRAKE FOOT BAR WELDMENT(HYDRO)	1	20084572
43	BRAKE PEDAL	1	20082728



8. SEAT

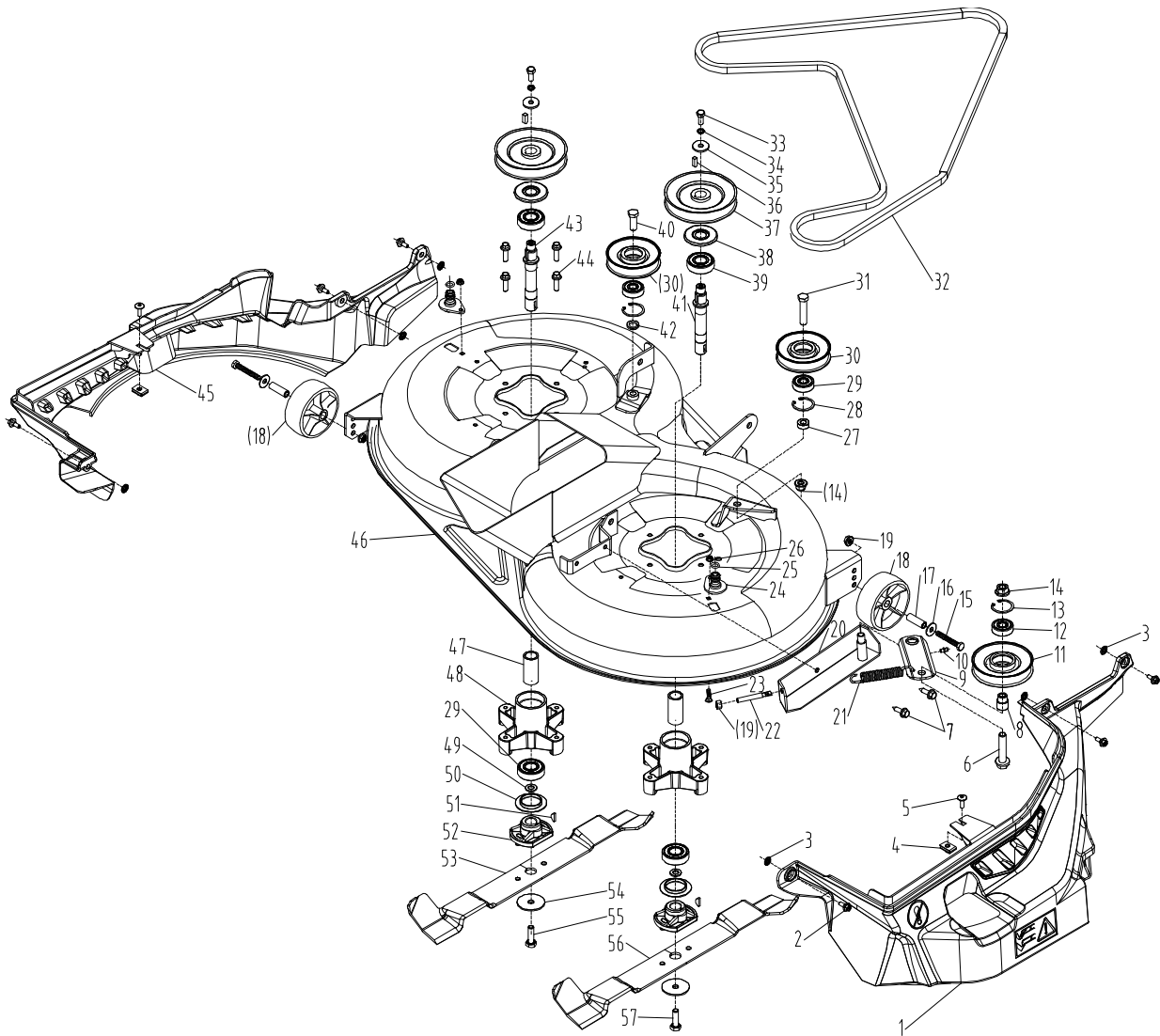
DRW. NO.	PARTS DESCRIPTION (EN)	Q'TY	CODE
1	FLANGE LOCK NUT M8	4	20061348
2	SEAT BACK BEAM	1	20084447
3	SEAT SWITCH RESET SPRING	2	20084453
4	TUBE 14*8.4*55	2	20084451
5	SEAT SWITCH PRESSING PLATE	1	20084452
6	FLANGE BOLT M8×75	2	20084449
7	Screw M8X20	2	20084454
8	SEAT SPRING	2	20070964
9	BIG WASHER	2	20061541
10	SPRING CAP	2	20068240
11	SEAT BRACKET	1	20070966
12	FLANGE BOLT M8×20	4	20061274
13	RETAINER RING 6	2	20061679
14	PIN	1	20070965
15	SEAT	1	20070600



9. LIFT-REAR DISCHARGE

DRW. NO.	PARTS DESCRIPTION (EN)	Q'TY	CODE
1	FLANGE LOCK NUT M10×1.25	8	20061405
2	WASHER 10.2×19	4	20070509
3	FRONT STAY BAR WELDMENT	1	20084556
	LEFT FRONT STAY BAR WELDMENT	1	20084566
	LEFT FRONT STAY BAR WELDMENT	1	20084569
4	FRONT STAY BAR WELDMENT	1	20084556
5	FRONT ARM WELDMENT	1	20084560
6	WASHER 10	9	20061497
7	SPRING PIN	9	20070576
8	U-SHAPED CLAMP	4	20084532
9	FRONT STAY BAR WELDMENT	8	20082800
10	PIN	1	20084533
11	FRONT RIGHT DERRICK	2	20084557
12	LIFTING LINK ROD WELDMENT(REAR DISCHARGE)	1	20084559
13	U DERRICK WELDMENT	1	20084553
14	ADJUSTING PIN	1	20070967
15	LIFTING PULL ROD(REAR DISCHARGE)	1	20084563
16	REAR ARM WELDMENT	1	20084539
17	REAR ADJUSTING ROD	1	20070969
18	ADJUSTING PIN	1	20070613
19	RETAINER RING 12	1	20061473
20	HEXAGON BUSHING	2	20070612
21	LIFTING ARM WELDMENT	1	20084537
22	WASHER 14x1.5	1	20062529
23	COTTER PIN φ3	1	20071251
24	RATCHET PLATE	1	20084549
25	FLANGE BOLT 5/16-18TX3/4	10	20082799
26	HANDLE	1	20070900
27	LEVEL WELDMENT	1	20084535
28	RIGHT SPRING	1	20071354
29	LIFTING HELPING SPRING	1	20084564

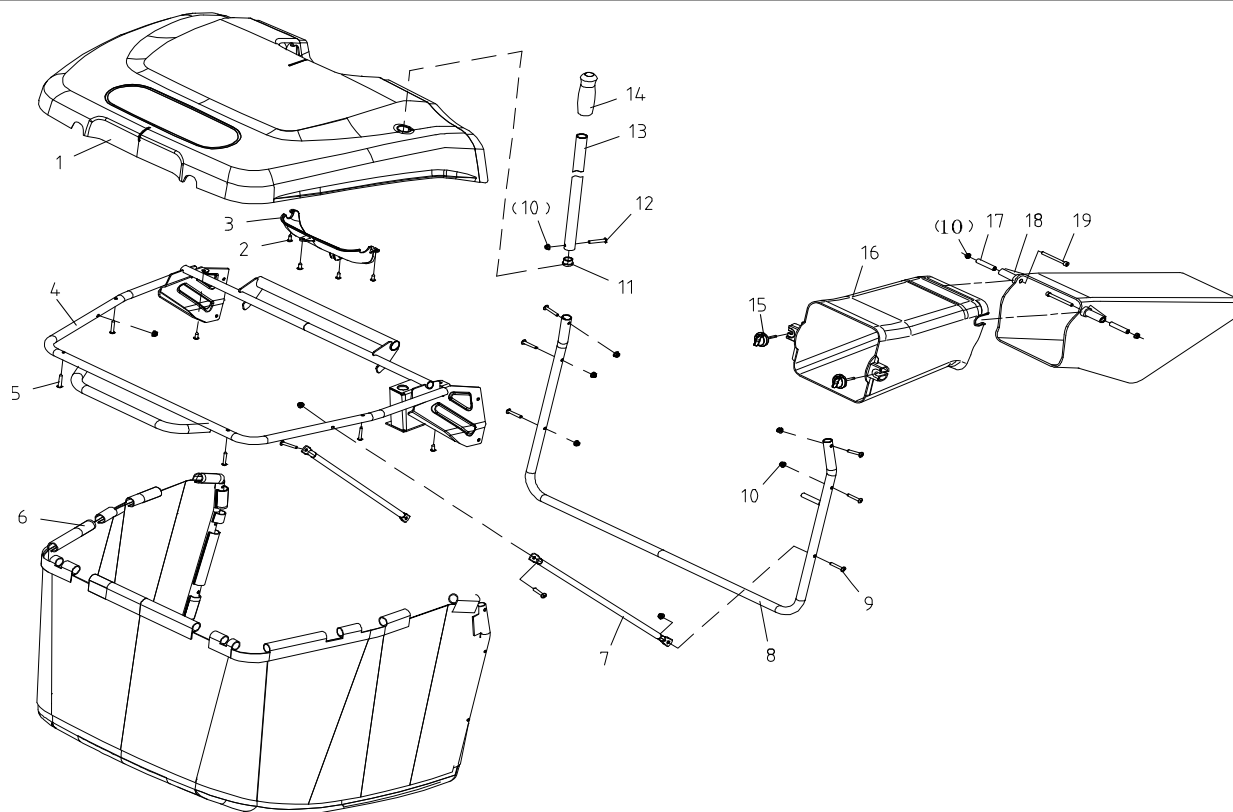
30	ADJUSTING SCREW ROD	1	20084542
31	FLANGE NUT M8	1	20061336
32	FLANGE LOCK NUT M8	1	20061348



10. BLADE

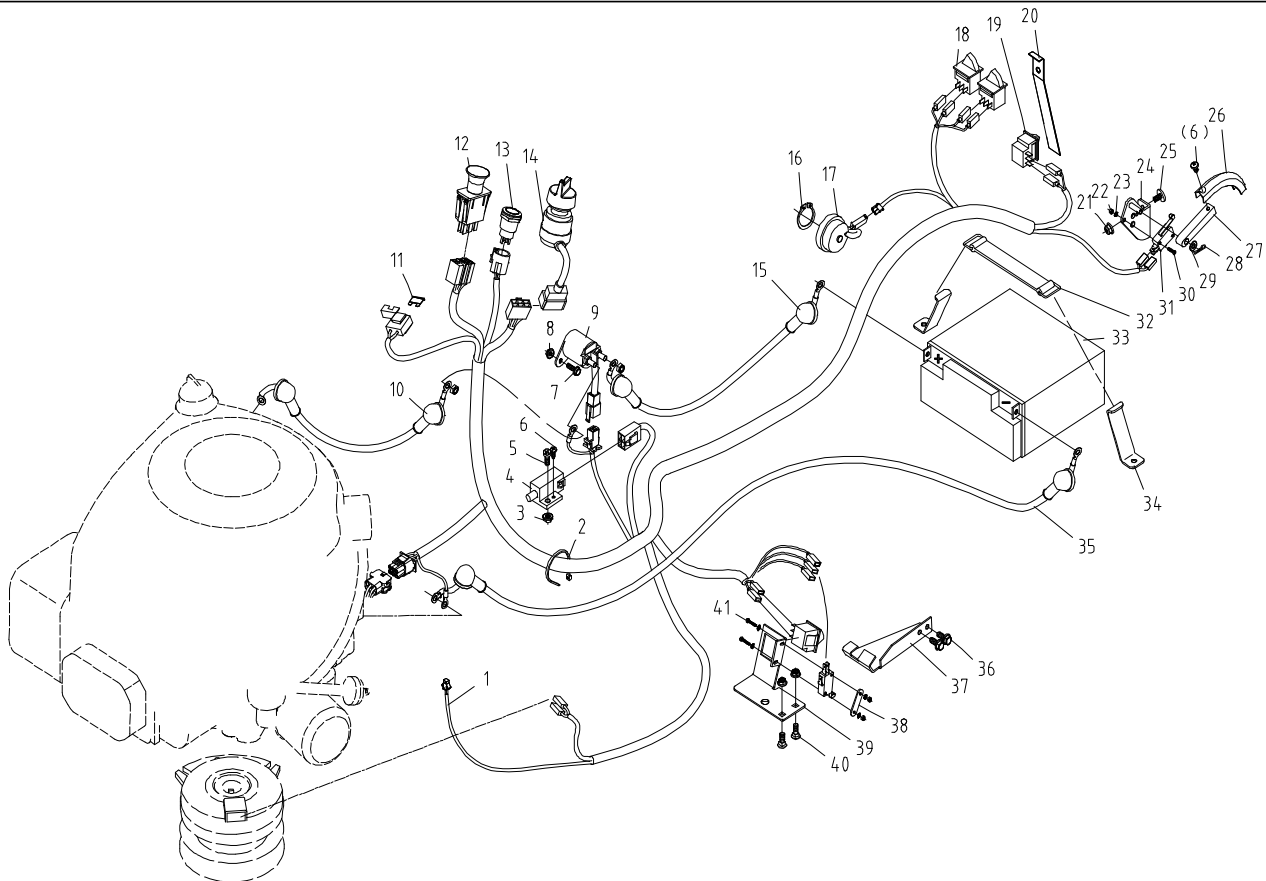
DRW. NO.	PARTS DESCRIPTION (EN)	Q'TY	CODE
1	BELT COVER RIGHT	1	20084611
2	SCREW ST6X17	6	20084301
3	BEARING HOLDER 5	6	20084302
4	BUCKLE NUT M6	2	20070630
5	SCREW M6×16	2	20060893
6	FLANGE BOLT5/16-18TX3/4	1	20082799
7	HEXAGON BOLT M12X1.25X50	2	20061286
8	CUT TENTION ARM WELDMENT	1	20084615
9	OIL INJECTION NOZZLE	1	20061649
10	TENTION PULLEY CUSHION COVER	1	20084617
11	TENTION PULLEY WELDMENT	1	20083932
12	BEARING 6203-2RZ	1	20061610
13	CIRCLE 40	1	20061540
14	FLANGE LOCK NUT M12×1.25	2	20061359
15	FLANGE BOLT M8×60	2	20061275
16	WASHER 8	2	20061431
17	PIVOT TUBE	2	20071269
18	WHEEL	2	20071268
19	FLANGE LOCK NUT M8	3	20061348

20	CUT TENTION SUPPORT WELDMENT	1	20084618
21	TRACTION SPRING	1	20084598
22	ADJUSTING SCREW	1	20084542
23	BOLT M6X16	2	20061289
24	WATER NOZZLE	2	20070624
25	O RING 11.2×2.65	2	20055756
26	FLANGE LOCK NUT M6	2	20061385
27	RIGHT GUIDE WHEEL CUSHION COVER	1	20084610
28	SNAP RING 37	2	20061549
29	BEARING 6301-2RS	2	20061626
30	TENTION PULLEY	2	20070536
31	TENTION PULLEY BOLT LONG	1	20083938
32	BELT	1	20084304
33	FLANGE BOLT M8X20	2	20061274
34	SPRING WASHER 8	2	20061472
35	WASHER	2	20055114
36	KEY C6X30	2	20061662
37	PULLEY	2	20070638
38	HOOD, BEARING	2	20071285
39	BEARING 6204-2RZ	4	20061625
40	BOLT	1	20062310
41	RIGHT BLADE AXLE	1	20083936
42	SPRING WASHER 12	1	20061452
43	FLANGE BOLT M8X25	8	20061298
44	LEFT BLADE AXLE	1	20083934
45	BELT COVER LEFT	1	20084605
46	DECK WELDMENT	1	20084621
47	PIVOT TUBE	2	20071282
48	CUTTTER HOUSE	2	20054352
49	SPACER RING	2	20071283
50	WASHER 50X20.2X2	2	20071286
51	WOODRUFF KEY 4X16	2	20061651
52	SLEEVE	2	20054345
53	LEFT BRADE	1	20071284
54	SAUCER WASHER	2	20070623
55	BOLT 3/8-24UNF	1	20061267
56	RIGHT BLADE	1	20071289
57	LH BOLT 3/8-24-1.25"-1.25-LH	1	20061266



11. REAR COLLECTION

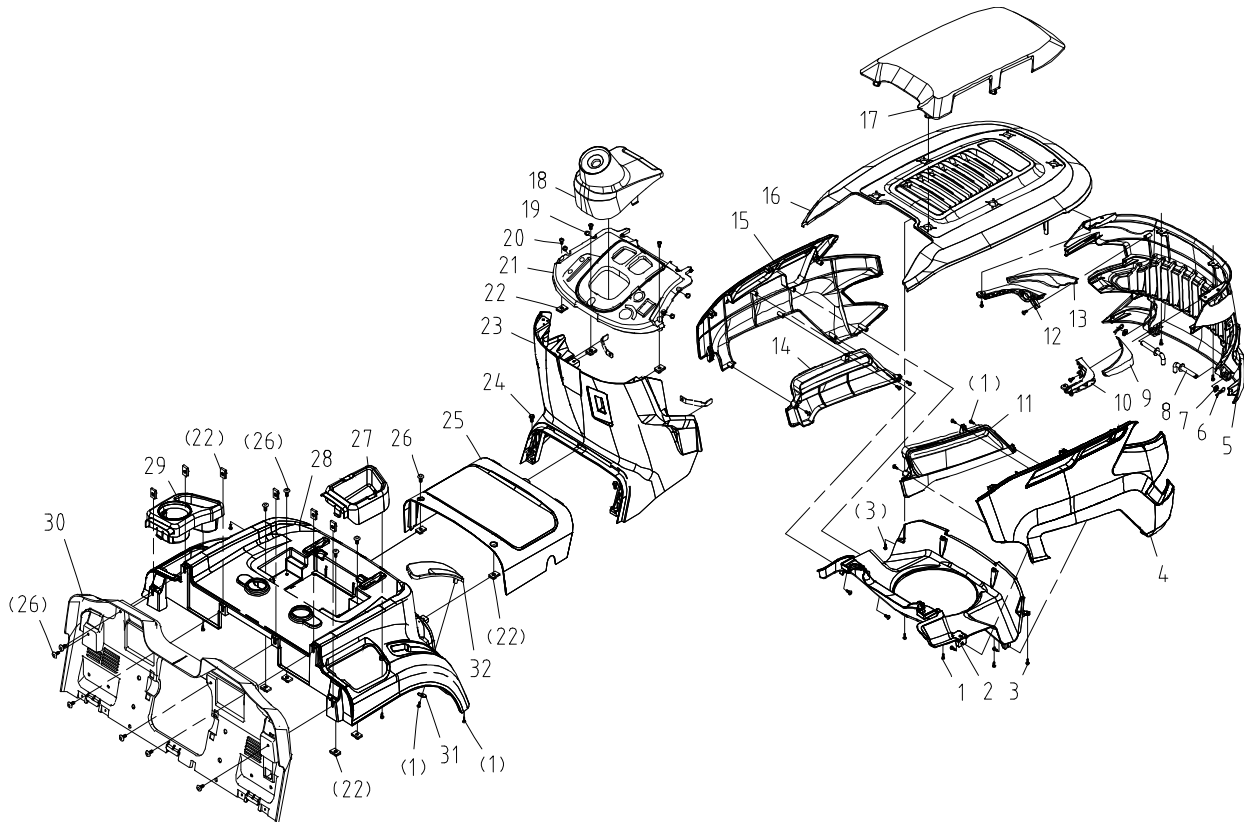
DRW. NO.	PARTS DESCRIPTION (EN)	Q'TY	CODE
1	COVER	1	20084479
2	TAPPING SCREW ST5.5X16	6	20084298
3	HANDLE DECPRATIVE PLATE	1	20084472
4	GRASS COLLECTING FRAME FRONT SUPPORT WELDMENT	1	20084469
5	TAPPING SCREW ST5.5X35	4	20084299
6	GRASS CATCHER(BOTTOM+CATCHER)	1	20084473
7	SIDE STAY PIPE	2	20084488
8	GRASS COLLECTING FRAME STATE SUPPORT WELDMENT	1	20084483
9	HEXAGON BOLTM6X35	8	20061246
10	HEXAGON LOCK NUT M6	11	20061385
11	CORE PLUG	1	20070642
12	SCREW M6X35	1	20051765
13	LEVER	1	20071295
14	HANDLE	1	20070643
15	LOCK KNOB	2	20060170
16	REAR TUBE	1	20084474
17	SPACER $\Phi 6 * \Phi 10 * 48$	2	20084482
18	FRONT TUBE	1	20084476
19	SCREW M6X65	2	20084300



12. ELECTRIC WIRE

DRW. NO.	PARTS DESCRIPTION (EN)	Q'TY	CODE
1	ELECTRIC CABLE (ELECTRIC START)	1	20084638
	LIGHT	1	20084627
2	CABLE TIE	20	20051895
3	HEXAGON FLANGE NUT M6	1	20061406
4	DOUBLE NORMALLY CLOSED SWITCH	1	20070742
5	SCREW M6*16	1	20061013
6	TAPPING SCREW ST4.2*10	2	20051776
7	BOLT M5*16	2	20061186
8	FLANGE LOCK NUT M5	2	20061341
9	STAR RELAY	1	20071221
10	POWER CABLE	1	20084637
11	FUSE 15A 32V	1	20071327
12	SWITCH,PTO	1	20062234
13	SWITCH		20084626
14	ELECTRIC DOOR LOCK	1	20084630
15	BATTERY CABLE	1	20084624
16	AXIAL ELASTIC RING Φ 24	1	20061492
17	BUZZER	1	20070813
18	SWITCH	4	20084625
	SWITCH	3	20085782
19	SWITCH	1	20085781
20	SPRING PLATE	1	20084634
21	HEXAGON FLANGE LOCK NUT M6	4	20061385
22	NUT M3	4	20061334
23	WASHER 3	6	20084633
24	SWITCH BASE	1	20084622
25	SCREW M6*16	2	20060893
26	HOOK	1	20084640
27	SWITCH LEVER	1	20071233
28	SPLIT PIN	1	20059765

29	WASHER $\Phi 6$	1	20061539
30	SCREW M3*20	4	20051763
31	SWITCH	2	20071232
32	BELT	1	20070744
33	BATTERY 12V 18AH	1	20071324
34	HOOK	2	20084632
35	GROUND CABLE	1	20084642
36	TAPPING SCREWM6*1	2	20082800
37	SWITCH LEVER	1	20084636
38	WASHER	1	20084628
39	SWITCH BASE	1	20084629
40	BOLT M6×16	2	20061289
41	SCREW M3*30	2	20078734



13. COVER

DRW. NO.	PARTS DESCRIPTION (EN)	Q'TY	CODE
	COVER ASSEMBLYTTM186H		40053087
1	SCREW ST4.8×16	36	20061038
2	AIR DIRECTOR	1	20084507
3	SCREW ST4.8×20	2	20084497
4	RIGHT SIDE COVER A RAL2004	1	20085244
5	FRONT COVER A RAL7021	1	20085247
6	SPRING PIN	2	20070576
7	WASHER 10	2	20061497
8	PIN	2	20078136
9	RIGHT LIGHT COVER A	1	50085248
10	RIGHT LIGHT BASE A	1	20085239
11	RIGHT AIR INTAKE COVER A BLACK	1	20085246
12	LEFT LIGHT BASE A	1	20085245
13	LEFT LIGHT COVER A	1	20085241
14	LEFT AIR INTAKE COVER A BLACK	1	20085243
15	LEFT SIDE COVER A RAL2004	1	20085240
16	TOP COVER A RAL2004	1	20085250
17	TRIM A	1	20085249
18	STEERING WHEEL JACKET	1	20084503
19	HANDLE ANTI-VIBRATION RUBBER	6	20075146
20	SCREW M6X16	3	20061013
21	PANEL	1	20084494
22	BUCKLE NUT M6	15	20070630
23	SHIELD	1	20084495
24	SCREW 6X16	6	20082800
25	MAINTENANCE COVER	1	20084506

26	SCREW M6×16	12	20060893
27	RIGHT STORAGE BOX	1	20084509
28	REAR SEAT	1	20084510
29	LEFT STORAGE BOX	1	20084493
30	REAR COVER TAIL-BOARD	1	20084499
31	GASKET 6.5×25×1.4	1	20071676
32	STALL DECORATIVE PLATE BLACK	1	20084501