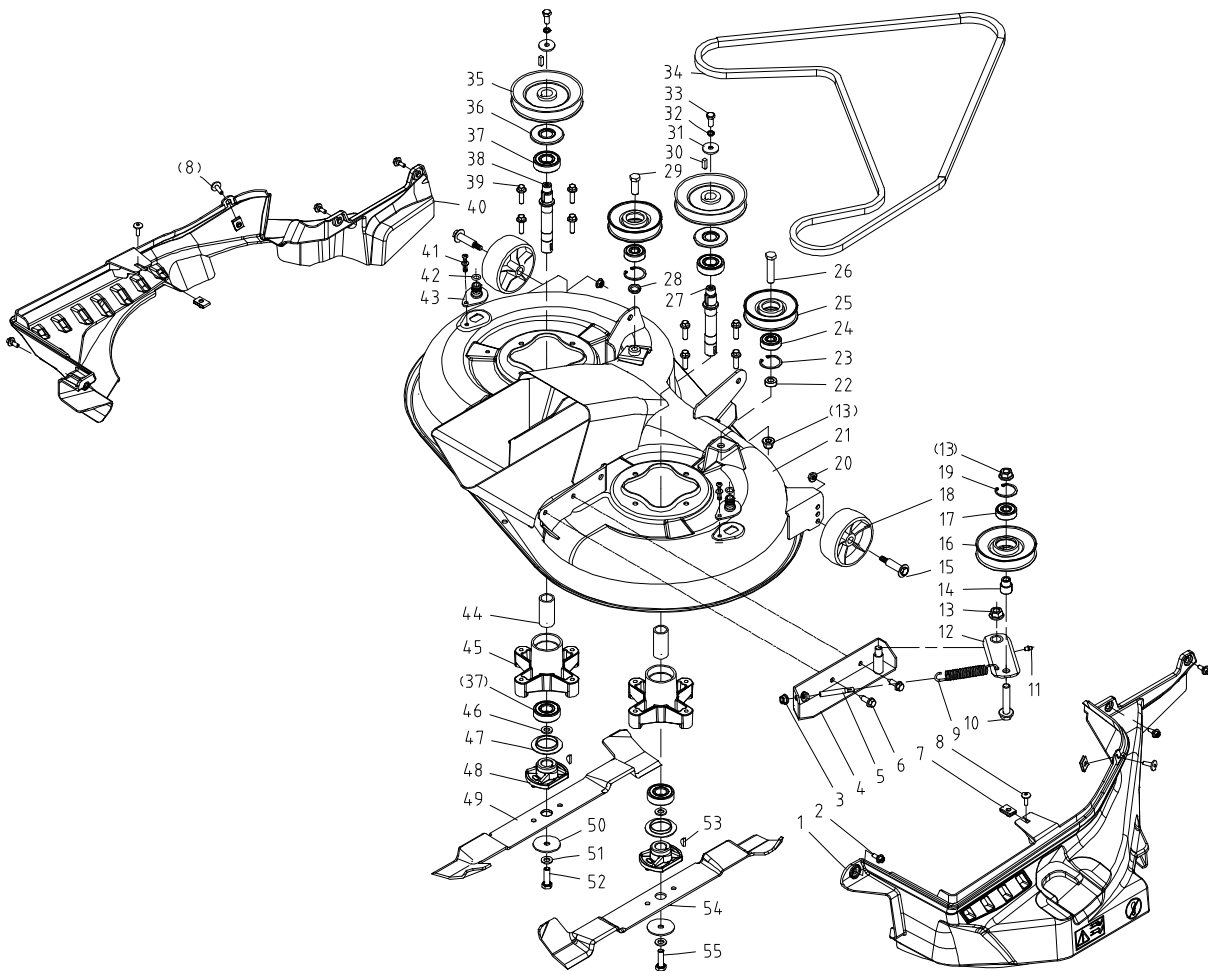
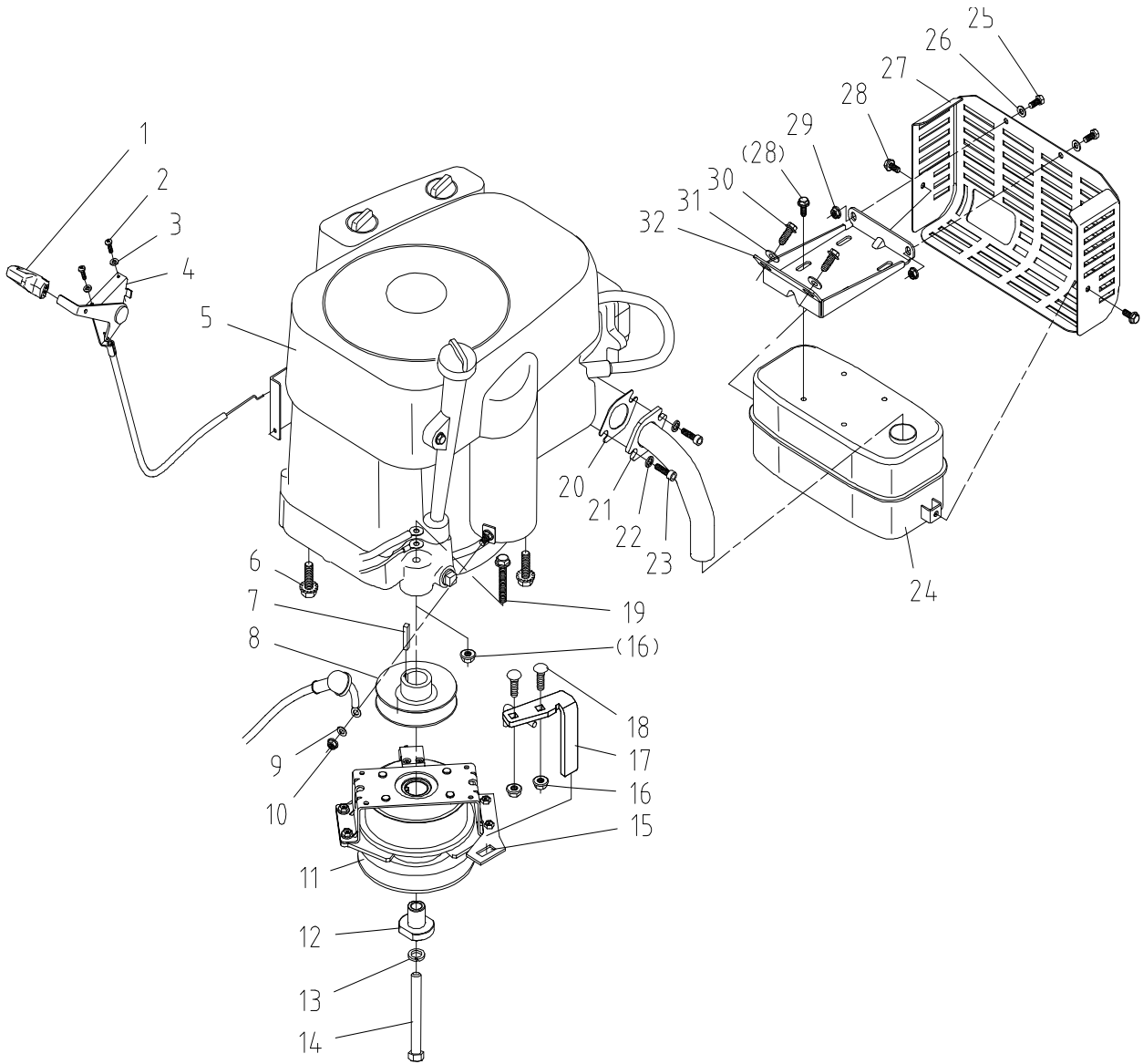


| | | |
|----|------------------|--------------------------------|
| 1 | GB/T70. 1-2000 | Screw M6X65 |
| 2 | 193401150132 | Front grass |
| 3 | 193401150129 | SPACER $\Phi 6*\Phi 10*48$ |
| 4 | GB/T6183. 1-2000 | Hexagon lock nut M6 |
| 5 | 193401150133 | Rear grass collector |
| 6 | 193401150134 | lock knob |
| 7 | D24. 0118. 0004 | Core plug |
| 8 | GB/T70. 1-2000 | SCREW M6 \times 30 |
| 9 | D24. 0118. 0005 | Handle |
| 10 | D40. 0107. 0002 | Lever |
| 11 | 20086969 | Sealing Wool TTM86 |
| 12 | 193401150111 | COVER |
| 13 | 1, 93401E+11 | GRASS COLLECTING FRAME FRONT |
| 14 | 193401150123 | HANDLE DECPRATIVE PLATE |
| 15 | GB/T16824 | Tapping screw ST4. 8x16 |
| 16 | GB/T5782-2000 | HEXAGON BOLTM6x35 |
| 17 | 1, 93401E+11 | GRASS COLLECTING FRAME STATE |
| 18 | 1, 93401E+11 | Side stay pipe |
| 19 | 193401150127 | GRASS CATCHER (BOTTOM+CATCHER) |
| 20 | GB/T16824 | Tapping screw ST5. 5x35 |



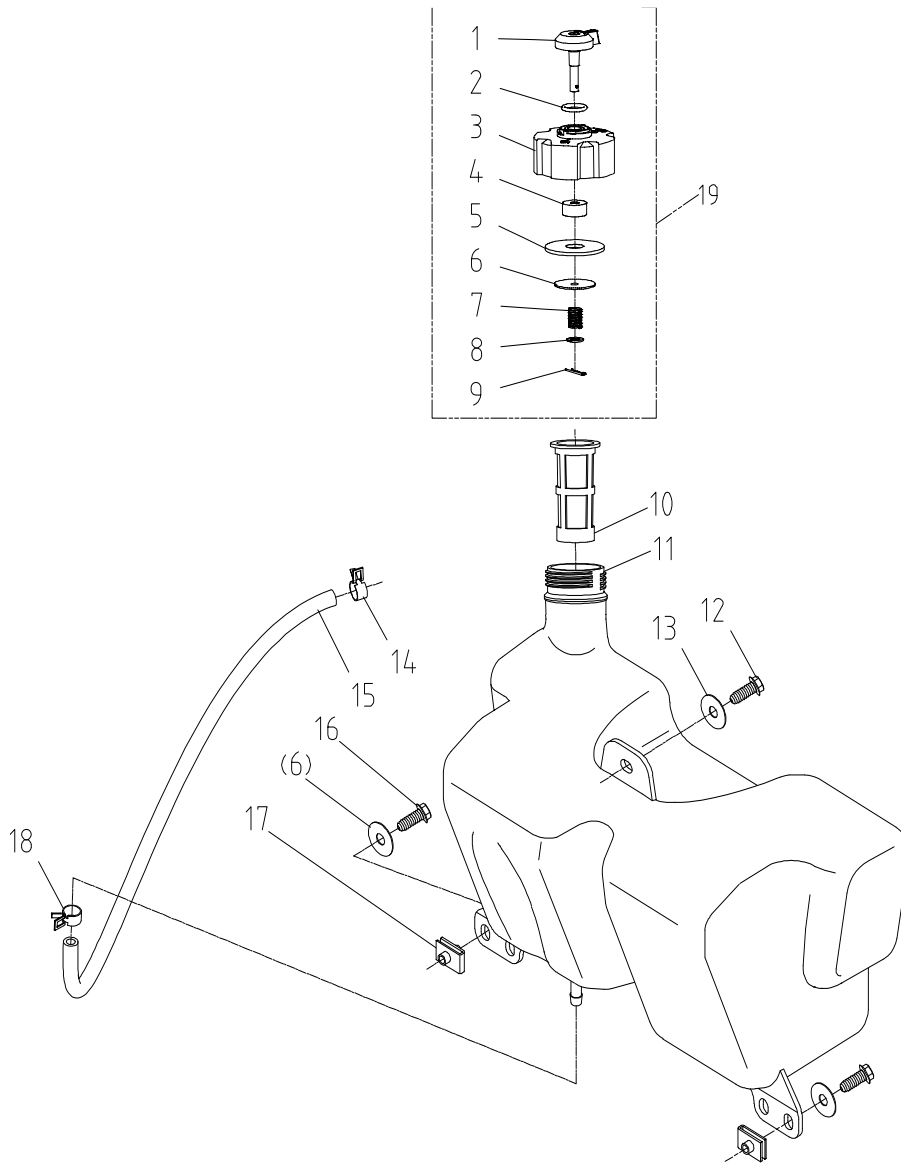
| | | |
|----|-----------------|---|
| 1 | 193401160102 | BELT COVER RIGHT |
| 2 | 20082801 | Hexagon Head Tapping Screw 6.3x11.5 |
| 3 | 01.03.0057 | FLANGE LOCK NUT M6 |
| 4 | 193401130303 | CUT TENTION SUPPORT WELDMENT |
| 5 | 193401130310 | ADJUSTING SCREW ROD |
| 6 | 20082799 | FLANGE BOLT 5/16-18TX3/4 |
| 7 | D24.0117.0010 | BUCKLE NUT M6 |
| 8 | GB/T947-1988 | SCREW M6×16 |
| 9 | 193401130311 | TRACTION SPRING |
| 10 | GB/T16674.2 | Hexagon bolt M12x1.25x50 |
| 11 | JB/T7940.1 | OIL INJECTION NOZZLE |
| 12 | 193401130306 | CUT TENTION ARM WELDMENT |
| 13 | GB/T6183.2-2000 | FLANGE LOCK NUT M12×1.25 |
| 14 | 193401130309 | TENTION PULLEY CUSHION COVER |
| 15 | 193401130106 | Wheel Axle |
| 16 | 193401130301 | TENTION PULLEY WELDMENT TTM86,Plating white zinc passivation |
| 17 | GB/T276-1994 | BEARING 6203-2RZ |
| 18 | D40.0106.0003 | WHEEL |
| 19 | GB/T893.1-1986 | CIRCLE 40 |
| 20 | GB/T6183.1-2000 | FLANGE LOCK NUT M8 |

| | | |
|----|------------------|--|
| 21 | 193401130200 | DECK WELDMENT |
| 22 | 193401130312 | RIGHT GUIDE WHEEL CUSHION COVER |
| 23 | GB/T893.1-1986 | SNAP RING 37 |
| 24 | GB/T276-1994 | BEARING 6301-2RS |
| 25 | D24.0104.1100 | TENTION PULLEY |
| 26 | 193401130302 | TENTION PULLEY BOLT LONG TTM86, Blacken |
| 27 | 193401130105 | RIGHT BLADE AXLE |
| 28 | GB/T93 | SPRING WASHER 12 |
| 29 | 17.01.A179120-02 | BOLT |
| 30 | 01.06.0170 | Key C6x30 |
| 31 | A38.0301.0002 | Washer |
| 32 | 01.04.0241 | Spring washer 8 |
| 33 | GB/T16674.1 | Hexagon bolt M8x20 |
| 34 | 193401130210 | BELT |
| 35 | 193603130101 | PULLEY |
| 36 | D40.0106.0406 | Hood, Bearing |
| 37 | 01.05.1420 | Bearing 6204-2RZ |
| 38 | 193401130104 | LEFT BLADE AXLE |
| 39 | GB/T16674.1 | FLANGE BOLT M8x25 |
| 40 | 193401160101 | BELT COVER LEFT |
| 41 | 20085899 | Plastic expansion rivets |
| 42 | GB/T3452.1-1992 | O RING 11.2×2.65 |
| 43 | D24.0117.0006 | WATER NOZZLE |
| 44 | D40.0106.0402 | Pivot tube |
| 45 | D40.0106.0403 | Cuttter house |
| 46 | D40.0106.0404 | Spacer ring |
| 47 | D40.0106.0407 | Washer 50x20.2x2 |
| 48 | D24.0117.0002 | Sleeve |
| 49 | 193401130101 | Left brade |
| 50 | D24.0117.0004 | Saucer washer |
| 51 | GB/T97.1-1985 | WASHER 10 |
| 52 | ANSI B 18.2.1 | Bolt 3/8-24unf |
| 53 | GB/T1099-1979 | HALFMOON KEY 4×16 |
| 54 | 193401130102 | RIGHT BLADE |
| 55 | ANSI B 18.2.1 | LH Bolt 3/8-24-1.25"-1.25-LH |

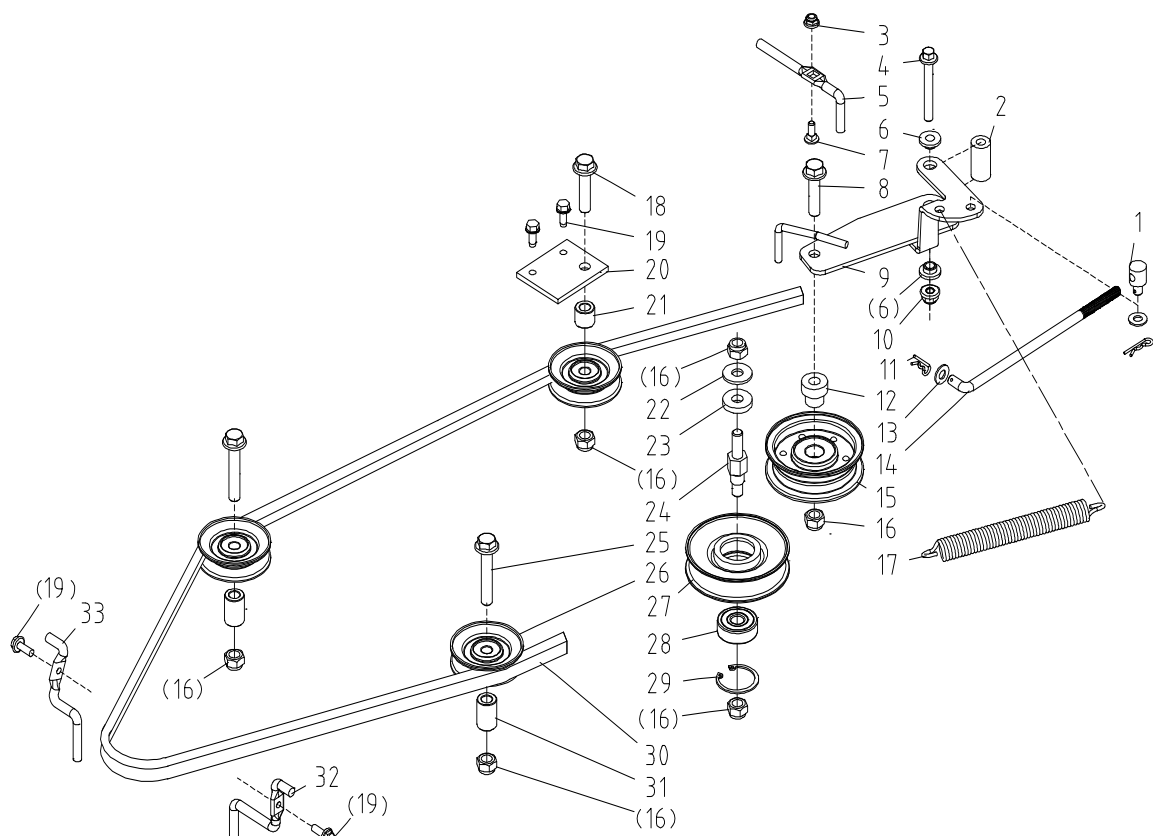


| | | |
|----|------------------|------------------------------------|
| 1 | 193401150124 | CHOKE KNOB |
| 2 | GB/T818-2000 | SCREW M4×16 |
| 3 | GB/T97. 1-1985 | WASHER 4 |
| 4 | D40. 0104. 1001 | THROTTLE CABLE |
| 5 | LC1P85FA | ENGINE |
| 6 | ANSI B18. 6. 4 | TAPPING SCREW 3/8"-16-1 1/4" |
| 7 | D24. 0104. 0011 | FLAT KEY 6. 35×30 |
| 8 | D36. 0301. 1700 | Engine pulley weldment |
| 9 | GB/T97. 1-1985 | WASHER 6 |
| 10 | GB/T6183. 1-2000 | FLANGE LOCK NUT M6 |
| 11 | 1, 93401E+11 | Electric clutch |
| 12 | 1, 93401E+11 | Clutch Step Bushing |
| 13 | ASME B18. 21. 1 | Spring washer 7/16" |
| 14 | ANSI B 18. 2. 1 | BOLT, 7/16"-20- 3", UNF |
| 15 | 1, 93401E+11 | Clutch clamp plate |
| 16 | GB/T6183. 1-2000 | FLANGE LOCK NUT M8 |
| 17 | 1, 93401E+11 | Clutch baffle Weldment (small bin) |
| 18 | GB/T12-1988 | BOLT M8×20 |

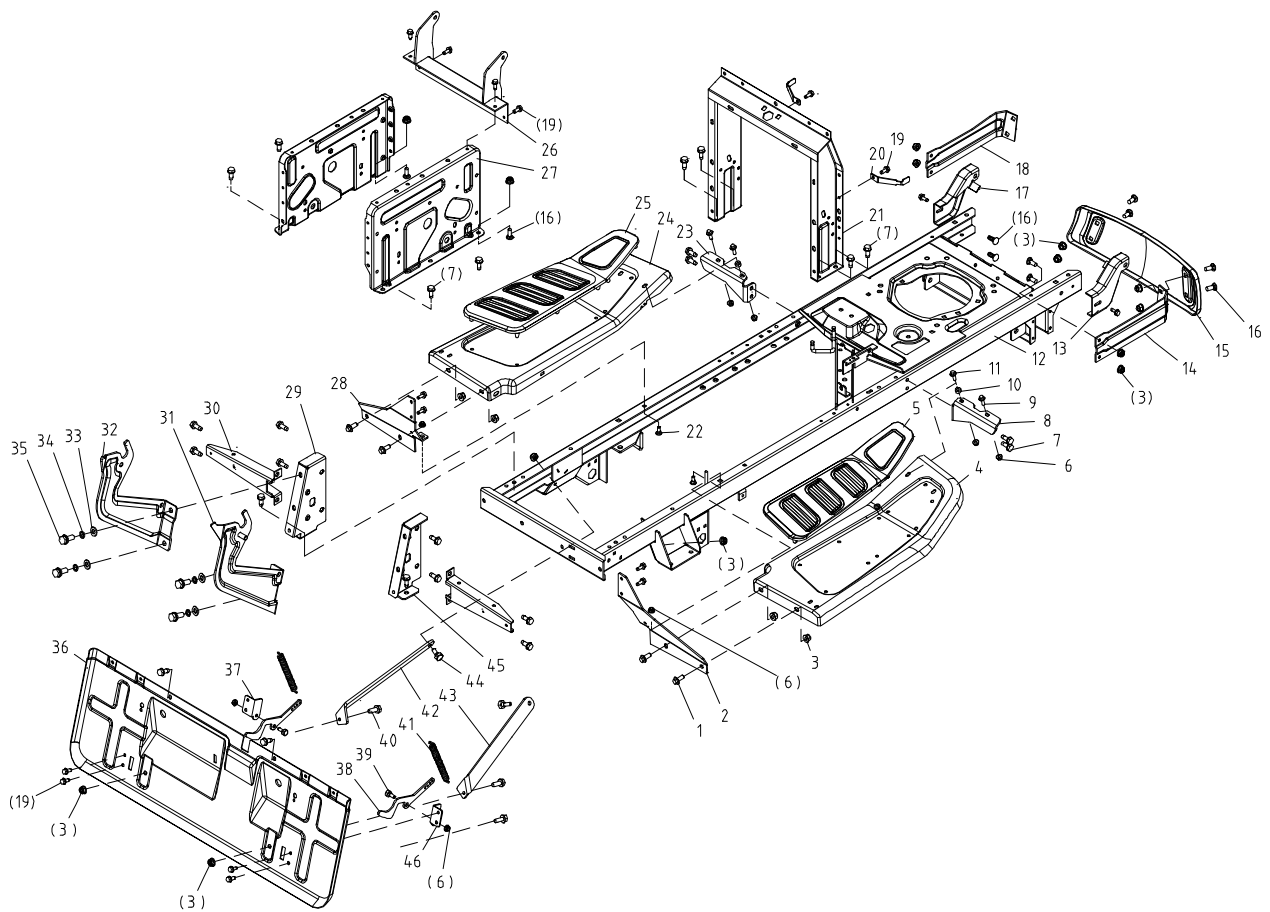
| | | |
|----|-----------------|--------------------------|
| 19 | GB/T16674.1 | FLANGE BOLT M8×40 |
| 20 | D39.0103.0001 | GASKET |
| 21 | 193401200102 | EXHAUST PIPE |
| 22 | ASME B18.21.1 | Spring washer 5/16" |
| 23 | ANSI B18.3 | SCREW 5/16"-18 -3/4" |
| 24 | D40.0103.1700 | MUFFLE |
| 25 | GB/T5783-2000 | BOLT M6×16 |
| 26 | GB/T96-1985 | BIG WASHER 6 |
| 27 | 194307010101 | FRONT SHIELD |
| 28 | 20082800 | Tapping screwM6*16 |
| 29 | GB/T6177.1-2000 | Hexagon flange nut M6 |
| 30 | 20082799 | FLANGE BOLT 5/16-18TX3/4 |
| 31 | GB/T96-1985 | BIG WASHER 8 |
| 32 | 193401010104 | BRACKET |



| | | |
|----|-----------------|----------------------|
| 1 | E58.0151.0101 | FUEL TANK CAP LEVER |
| 2 | E58.0151.0102 | O RING |
| 3 | E58.0151.0103 | FUEL TANK CAP |
| 4 | E58.0151.0104 | FUEL TANK CAP FILTER |
| 5 | E58.0151.0105 | FUEL TANK CAP SEAL |
| 6 | 21025-A142-0000 | GASKET 6×25×1.5 |
| 7 | E58.0151.0107 | FUEL TANK CAP SPRING |
| 8 | GB/T97.1-1985 | WASHER 5 |
| 9 | E58.0151.0108 | SPLIT PIN |
| 10 | E58.0151.0200 | FILTER CAP |
| 11 | D40.0104.0014 | FUEL TANK |
| 12 | 20082800 | Tapping screwM6*1 |
| 13 | 21025-A142-0000 | GASKET 6×25×1.5 |
| 14 | D40.0103.0009 | CLIP φ10 |
| 15 | D39.0102.0002 | FUEL HOSE |
| 16 | GB/T5783-2000 | BOLT M6×20 |
| 17 | D24.0117.0010 | BUCKLE NUT M6 |
| 18 | D40.0103.0010 | CLIP φ10 |

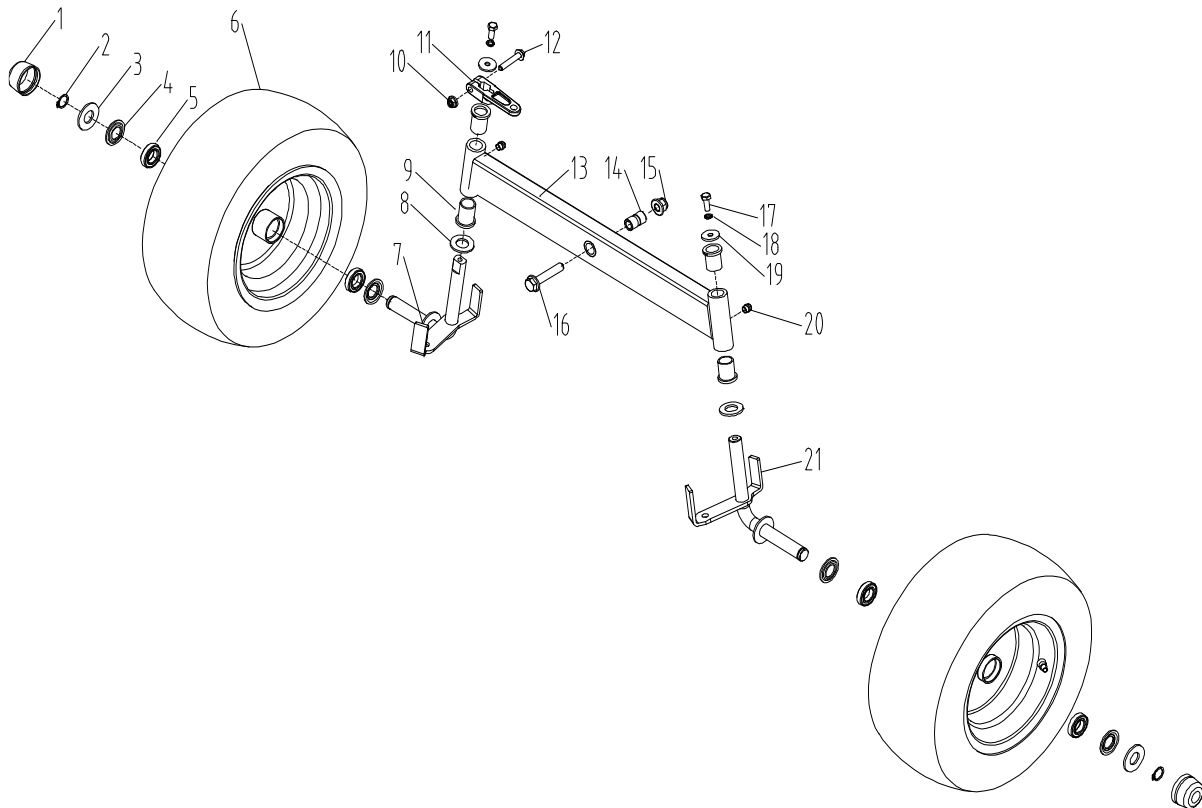


| | | |
|----|------------------|---|
| 1 | D24. 0113. 0005 | GEAR SHIFT PIN |
| 2 | 193401020109 | SPACER $\phi 8 \times \phi 18 \times 33$ |
| 3 | GB/T6183. 1-2000 | Hexagon flange lock nut M6 |
| 4 | GB/T16674. 2 | FLANGE BOLT M8 \times 60 |
| 5 | 193401020103 | LEFT FRONT BELT GUIDE |
| 6 | D24. 0213. 0003 | Bushing |
| 7 | GB/T12-1988 | Bolt M6 \times 16 |
| 8 | GB/T16674. 2 | FLANGE BOLT M10 \times 1. 25 \times 40 |
| 9 | 193401020200 | DRIVING TENTION ARM WELDMENT |
| 10 | GB/T6177. 1-2000 | FLANGE NUT M8 |
| 11 | D24. 0113. 0001 | SPRING PIN |
| 12 | D40. 0103. 0501 | TENTION PULLEY BUSHING |
| 13 | GB/T97. 1-1985 | Washer 8 |
| 14 | 193401020104 | LINKED PUTTER |
| 15 | D40. 0103. 1600 | TENTION PULLEY |
| 16 | GB/T889. 2-2000 | LOCK NUT M10 \times 1. 25 |
| 17 | D39. 0104. 0004 | SPRING |
| 18 | GB/T16674. 2 | FLANGE BOLT M10 \times 1. 25 \times 45 |
| 19 | 20082800 | Tapping screwM6*16 |
| 20 | 193401020113 | GUIDE PULLEY BASE PLATE |
| 21 | 193401020112 | LEFT FRONT GUIDE PULLEY CUSHION SLEEVE |
| 22 | GB/T96-1985 | BIG WASHER 10 |
| 23 | 17. 01. W102705 | Washer $\phi 27 \times \phi 10. 5 \times 5$ |
| 24 | 193401020107 | BOLT |
| 25 | GB/T16674. 2 | FLANGE BOLT M10 \times 1. 25 \times 50 |
| 26 | D40. 0103. 1200 | DRIVING GUIDE PULLEY |
| 27 | D24. 0104. 1100 | TENTION PULLEY |
| 28 | GB/T276-1994 | BEARING 6301-2RS |
| 29 | GB/T893. 1-1986 | SNAP RING 37 |
| 30 | 193401020111 | V belt |
| 31 | 193401020110 | GUIDE PULLEY CUSHION SLEEVE |
| 32 | 193401020102 | RIGHT BELT GUIDE |
| 33 | 193401020101 | LEFT BELT GUIDE |

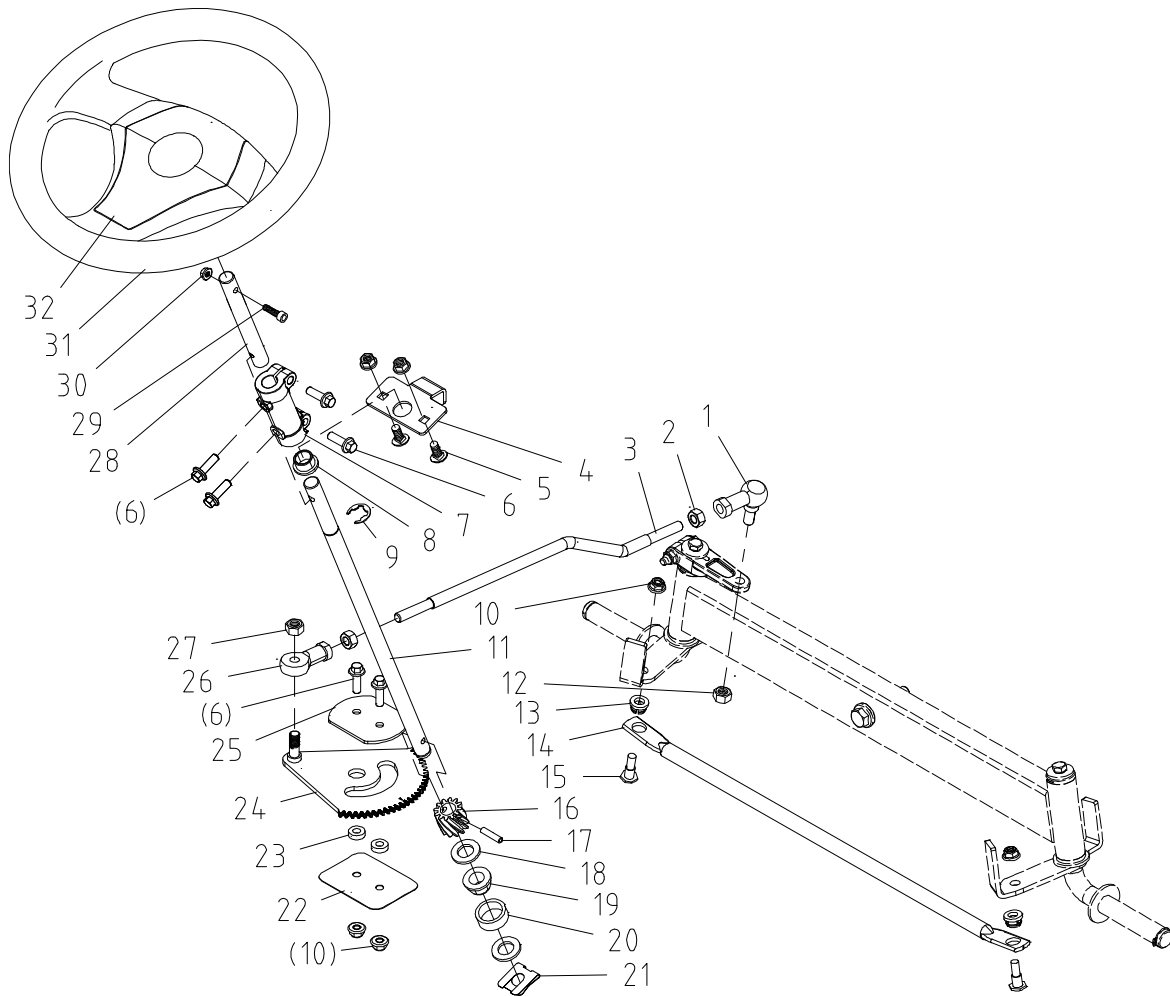


| | | |
|----|-----------------|----------------------------|
| 1 | GB/T16674.1 | FLANGE BOLT M8×20 |
| 2 | 193401040604 | RIGHT PEDAL HANGER |
| 3 | GB/T6183.1-2000 | FLANGE LOCK NUT M8 |
| 4 | 193401040602 | RIGHT PEDAL |
| 5 | 193401150116 | RIGHT FOOT PAD |
| 6 | GB/T6183.1-2000 | Hexagon flange lock nut M6 |
| 7 | 20082799 | FLANGE BOLT 5/16-18TX3/4 |
| 8 | 193401040606 | PEDAL FRONT SUPPORT RIGHT |
| 9 | GB/T5789-1986 | FLANGE BOLT M6×16 |
| 10 | D39.0106.0008 | BUSHING |
| 11 | GB/T16674.1 | FLANGE BOLT M6×25 |
| 12 | 193401040200 | Chasis |
| 13 | 193401041402 | ENGINE COVER BRACKET RIGHT |
| 14 | 193401040302 | RIGHT BAMPER ROD |
| 15 | 193401040304 | BAMPER |
| 16 | GB/T12-1988 | BOLT M8×20 |
| 17 | 193401041401 | ENGINE COVER BRACKET LEFT |
| 18 | 193401040301 | LEFT BAMPER ROD |
| 19 | 20082800 | Tapping screwM6*1 |
| 20 | 193401041403 | STEERING |
| 21 | 193401040400 | STEERING BRACKET |
| 22 | GB/T12-1988 | BoIt M6X16 |
| 23 | 193401040605 | PEDAL FRONT SUPPORT LEFT |
| 24 | 193401040601 | LEFT PEDAL |
| 25 | 193401150115 | LEFT FOOT PAD |
| 26 | 193401040500 | SEAT FRONT BEAM WELDMENT |

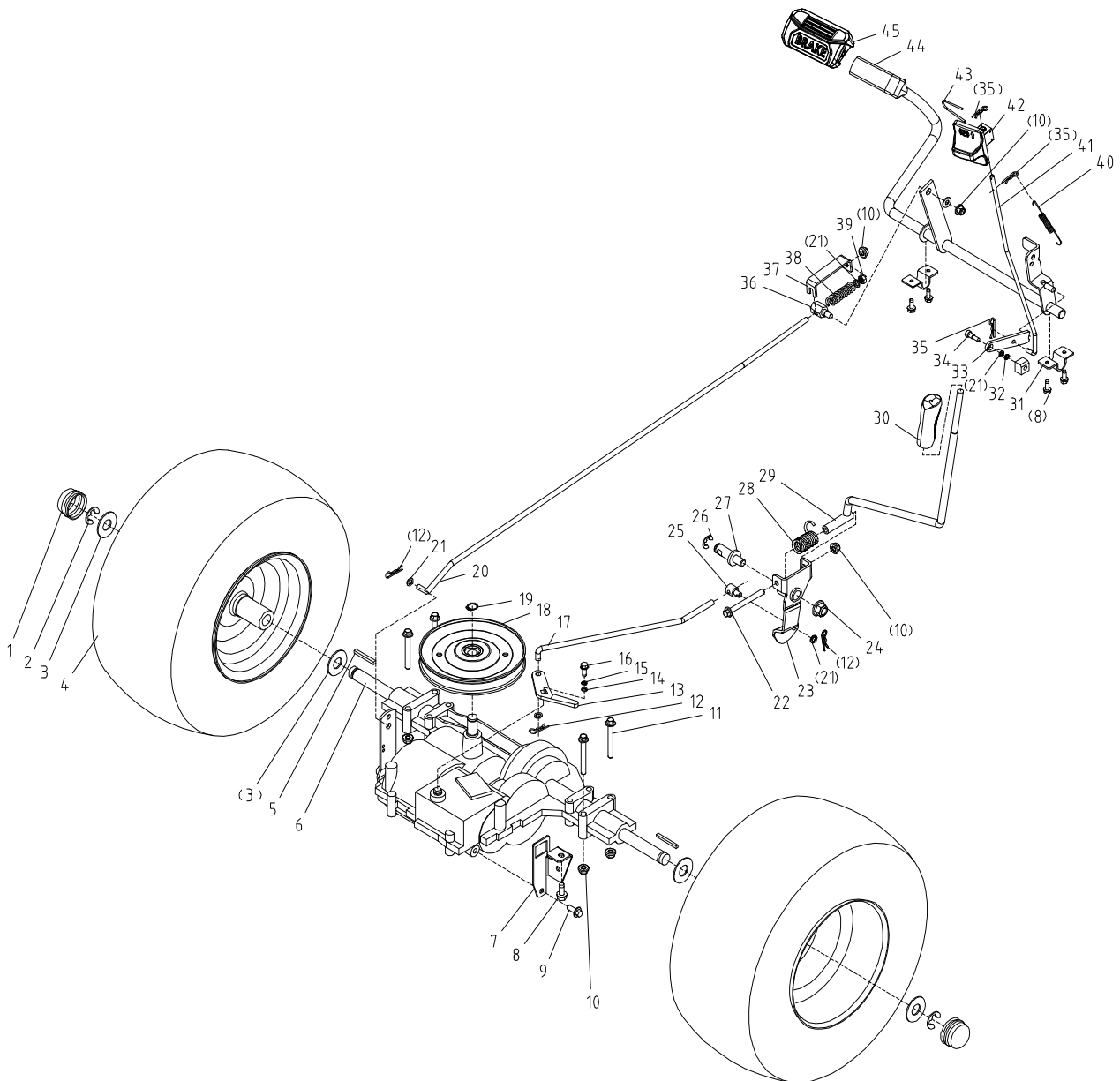
| | | |
|----|---------------|--|
| 27 | 193401041301 | SIDE PLATE |
| 28 | 193401040603 | LEFT PEDAL HANGER |
| 29 | 193401041615 | TRAPEZOIDAL CONNECTING PLATE PLATE WELDMENT LEFT |
| 30 | 193401041603 | TAILGATE BRACKET |
| 31 | 193401041608 | SWINGING FRAME RIGHT WELDMENT |
| 32 | 193401041605 | SWINGING FRAME LEFT WELDMENT |
| 33 | GB/T97.1 | WASHER 10 |
| 34 | GB/T93 | SPRING WASHER 10 |
| 35 | GB/T5783 | HEXAGON BOLT M10×1.25×30, GB/T5786 |
| 36 | 193401041612 | Rear damper |
| 37 | 193401041613 | HOOK BASE LEFT |
| 38 | 193401041618 | Hook |
| 39 | D24.0118.0009 | Pin screw |
| 40 | GB/T16674.1 | FLANGE BOLT M8×25 |
| 41 | D24.0118.0007 | Spring |
| 42 | 193401041610 | BACK JACKSTAY LEFT |
| 43 | 193401041611 | BACK JACKSTAY RIGHT |
| 44 | 193401041617 | Step bolt M8×20 |
| 45 | 193401041616 | TRAPEZOIDAL CONNECTING PLATE PLATE WELDMENT RIGHT |
| 46 | 193401041614 | HOOK BASE RIGHT |



| | | |
|----|------------------|--|
| 1 | D24. 0109. 0001 | HUB COVER |
| 2 | GB/T894. 1-1986 | SNAP RING 19 |
| 3 | D40. 0102. 0015 | WASHER $\phi 20 \times \phi 43 \times 3$ |
| 4 | D40. 0102. 0016 | WASHER |
| 5 | GB/T276-1994 | BEARING 61904-2RZ |
| 6 | D40. 0102. 0100 | FRONT WHEEL ASSEMBLY |
| 7 | 193401050200 | Front Axle RH |
| 8 | GB/T97. 1-1985 | WASHER 20 |
| 9 | D24. 0112. 0003 | BUSHING |
| 10 | GB/T6183. 1-2000 | FLANGE LOCK NUT M8 |
| 11 | D39. 0112. 0011 | TURNNG ARM |
| 12 | GB/T5789-1986 | FLANGE BOLT M8 \times 45 |
| 13 | 193401050100 | FRONT AXLE WELDMENT |
| 14 | 193401050103 | LINER TUBE |
| 15 | GB/T6183. 2-2000 | FLANGE LOCK NUT M12 \times 1. 25 |
| 16 | GB/T5789-2000 | FLANGE BOLT M12 \times 1. 25 \times 55 |
| 17 | GB/T5783-2000 | BOLT M8 \times 20 |
| 18 | GB/T93-1987 | SPRING WASHER 8 |
| 19 | A38. 0301. 0002 | WASHER |
| 20 | JB/T7940. 1 | OIL INJECTION NOZZLE |
| 21 | 193401050300 | Front Axle LH |

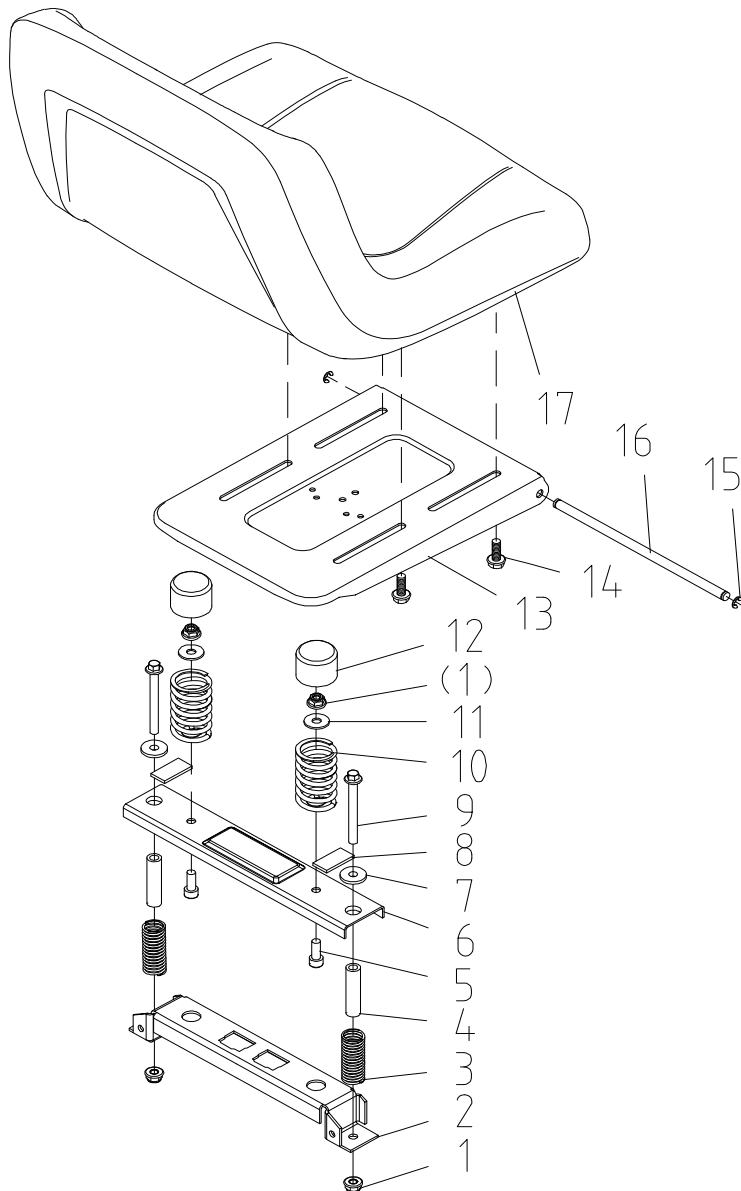


| | | |
|----|-----------------|------------------------------|
| 1 | 193401070007 | JOINT BEARING M10 |
| 2 | GB/T6170-2000 | NUT M10 |
| 3 | 193401070003 | STEERING DRAG ROD |
| 4 | 193401070006 | SQUARE HOLE CARD BOARD |
| 5 | GB/T12-1988 | SCREW M8×20 |
| 6 | GB/T5789-1986 | FLANGE BOLT M8×25 |
| 7 | 493405070106 | Couplings |
| 8 | 494305080108 | HATCH BUSHING |
| 9 | GB/T894.1-1986 | SNAP RING 15 |
| 10 | GB/T6183.1-2000 | FLANGE LOCK NUT M8 |
| 11 | 193401070002 | Steering column |
| 12 | GB/T889.1-2000 | LOCK NUT M10 |
| 13 | 193401070102 | ELASTIC RUBBER BUSH |
| 14 | 193401070103 | STEERING TIE ROD |
| 15 | 193401070101 | PIN SCREW M8×28 |
| 16 | 193401070001 | STEERING GEAR LEFT |
| 17 | GB/T879.1-2000 | PIN 6×26 |
| 18 | GB/T97.1-1985 | WASHER 16 |
| 19 | D24.0116.0012 | HEXAGON BUSHING |
| 20 | D40.0102.0002 | BUSHING |
| 21 | | SNAP RING 16 |
| 22 | D39.0112.0010 | TIE PLATE |
| 23 | D39.0112.0003 | BUSHING |
| 24 | 193401070300 | STEERING GEAR PLATE WELDMENT |
| 25 | D39.0112.0012 | DOUBLE HOLE BOARD |
| 26 | GB/T304.2-1988 | JOINT BEARING SIJK10C |
| 27 | GB/T889.2-2000 | LOCK NUT M10×1.25 |
| 28 | 193401070005 | STEERING WHEEL ROD B |
| 29 | GB/T70.1-2000 | SCREW M6×35 |
| 30 | GB/T6183.1-2000 | FLANGE LOCK NUT M6 |
| 31 | D39.0112.0200 | STEERING WHEEL |
| 32 | D39.0112.0201 | STEERING WHEEL CAP |

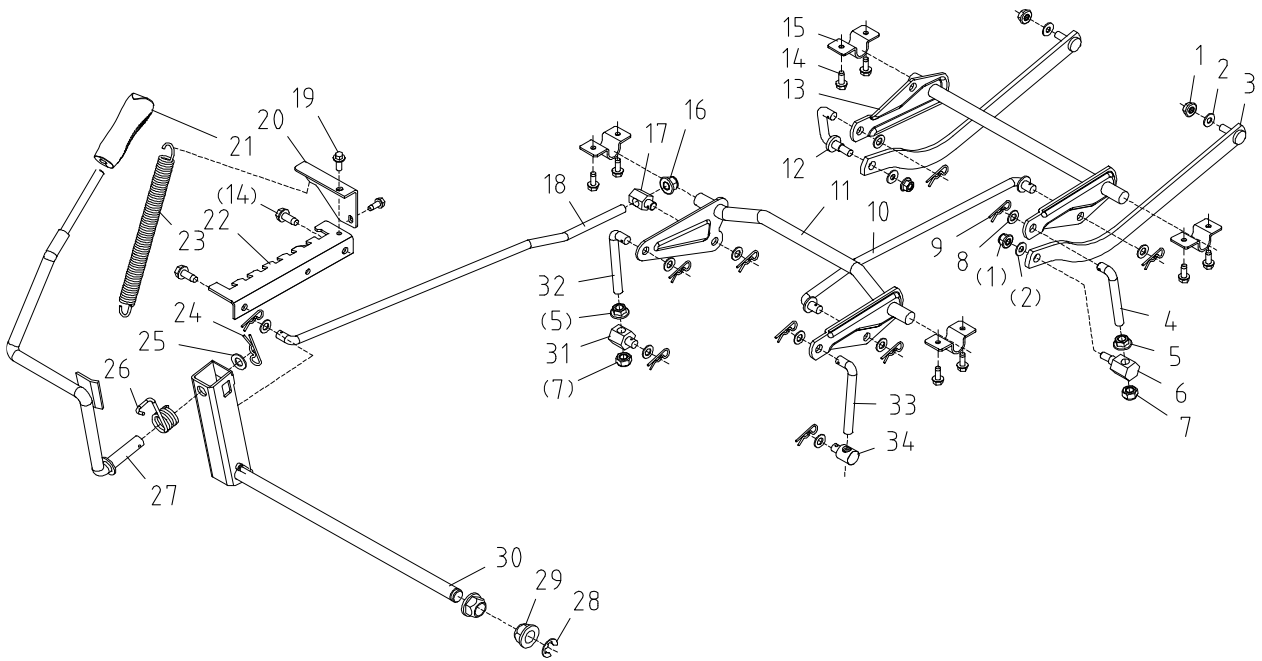


| | | |
|----|------------------|--|
| 1 | D24. 0109. 0001 | HUB COVER |
| 2 | GB/T896-1986 | RETAINER RING 15 |
| 3 | D40. 0102. 0015 | WASHER $\phi 20 \times \phi 43 \times 3$ |
| 4 | D39. 0111. 0100 | REAR WHEEL ASSEMBLY |
| 5 | D40. 0103. 0103 | FLAT KEY $4.75 \times 4.75 \times 60$ |
| 6 | T2515/2D68 | GEAR BOX |
| 7 | 193401060101 | GEAR BOX CONNECTING PLATE |
| 8 | 20082799 | FLANGE BOLT $5/16-18 \text{TX} 3/4$ |
| 9 | GB/T16674. 1 | FLANGE BOLTM8x16 |
| 10 | GB/T6183. 1-2000 | FLANGE LOCK NUT M8 |
| 11 | GB/T16674. 1 | FLANGE BOLT 8×65 |
| 12 | D24. 0113. 0001 | SPRING PIN |
| 13 | 193401080102 | Gear shift arm |
| 14 | GB/T96-1985 | BIG WASHER 6 |
| 15 | GB/T93-1987 | SPRING WASHER 6 |
| 16 | ANSI B18. 6. 3 | BOLT $1/4"-28 -3/4"$ |
| 17 | 193401080101 | Gear shift rod |

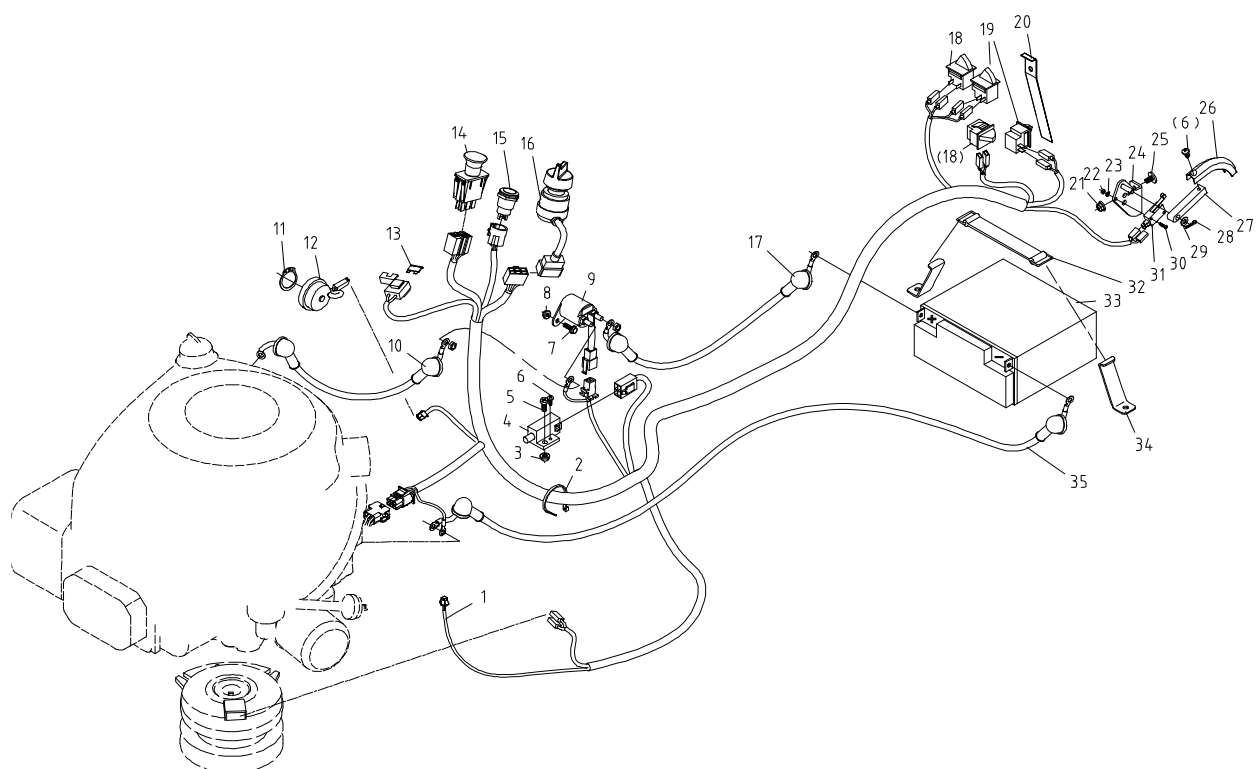
| | | |
|----|-----------------|-------------------------------------|
| 18 | D39.0104.0800 | DRIVING PASSIVE WHEEL |
| 19 | GB/T894.1-1986 | SNAP RING 16 |
| 20 | 193401090501 | BRAKE LEVEL |
| 21 | GB/T97.1-1985 | Washer $\Phi 8$ |
| 22 | GB/T5787 | FLANGE BOLT M8x80 |
| 23 | 193401080500 | SHIFT PLATE WELDMENT |
| 24 | GB/T6183.2-2000 | FLANGE LOCK NUT M12x1.25 |
| 25 | D24.0113.0005 | GEAR SHIFT PIN |
| 26 | GB/T896 | Snap Ring 12 |
| 27 | 193401080104 | GEAR SHIFT AXLE PIN |
| 28 | 193401080103 | SPRING $\Phi 3.5 * \Phi 20$ |
| 29 | 193401080400 | GEAR SHIFT LEVER WELDMENT |
| 30 | D39.0105.0012 | HANDLE |
| 31 | 193401090101 | U-SHAPED CLAMP |
| 32 | GB/T93-1987 | Spring washer 8 |
| 33 | 193401090202 | BRAKE PLATE |
| 34 | 193401090203 | Brake axle pin |
| 35 | D24.0113.0006 | Bow-tie Cotter pin 2 |
| 36 | 193401090503 | PIN |
| 37 | 193401090504 | GROOVE ADJUSTING PLATE |
| 38 | 193401090502 | SPRING $\phi 2.5 * \phi 14$ |
| 39 | GB/T6170-2000 | Nut M8 |
| 40 | 193401090206 | Parking reset tension spring, TTM86 |
| 41 | 193401090205 | Drag Link, Brake Parking |
| 42 | 193401090201 | BRAKE HANDLE RAL3002 |
| 43 | 193401090204 | U BOLT |
| 44 | 193401090400 | BRAKE FOOT BAR WELDMENT (MANUAL) |
| 45 | 494305140101 | BRAKE PEDAL |



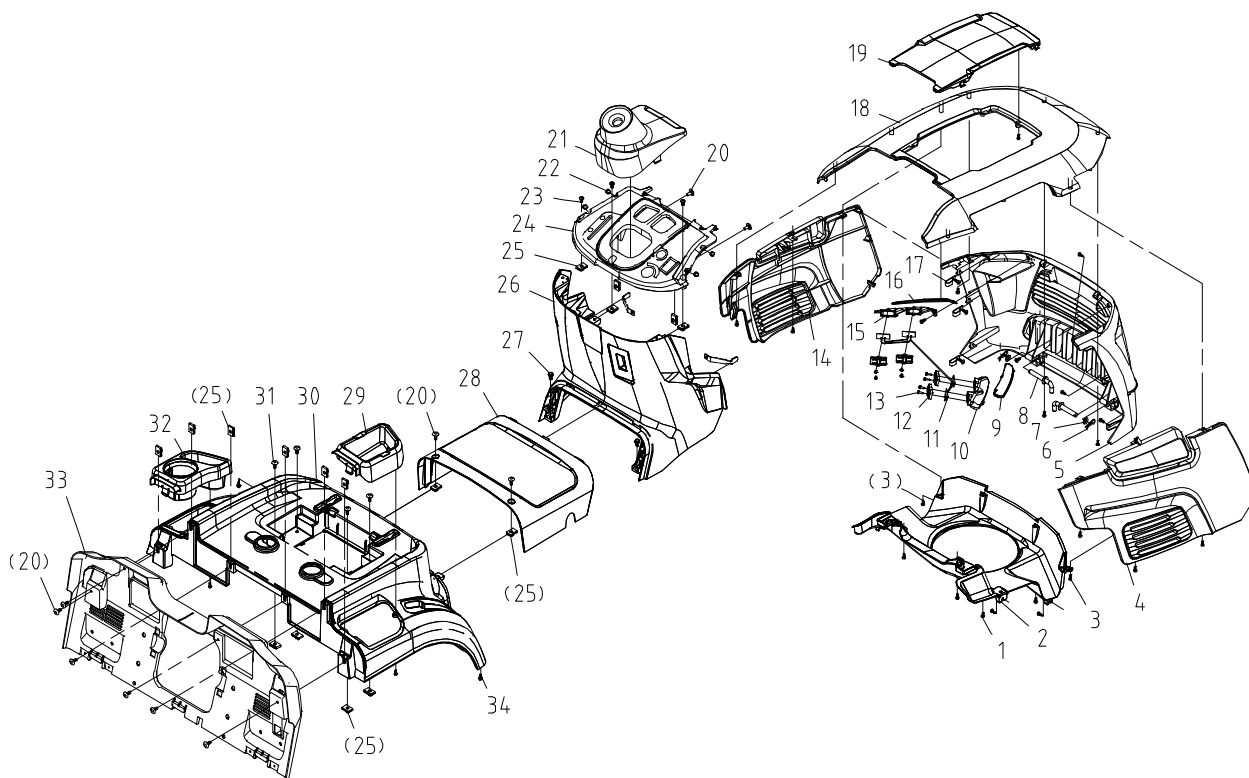
| | | |
|----|-----------------|---|
| 1 | GB/T6183.1-2000 | FLANGE LOCK NUT M8 |
| 2 | 193401110104 | SEAT BACK BEAM |
| 3 | 193401110101 | SEAT SWITCH RESET SPRING |
| 4 | 193401110102 | TUBE 14*8.4*55 |
| 5 | GB/T70.1-2000 | Screw M8X20 |
| 6 | 193401110103 | SEAT SWITCH PRESSING PLATE |
| 7 | 193401110107 | Nylon step cover |
| 8 | 20085917 | Foam damping strip with rubber 40x20x5, BLACK |
| 9 | GB/T16674.1 | FLANGE BOLT M8×75 |
| 10 | D39.0115.0001 | SEAT SPRING |
| 11 | GB/T96-1985 | BIG WASHER |
| 12 | D40.0104.0010 | SPRING CAP |
| 13 | D39.0115.0100 | SEAT BRACKET |
| 14 | GB/T5789-1986 | FLANGE BOLT M8×20 |
| 15 | GB/T896-1986 | RETAINER RING 6 |
| 16 | D39.0115.0002 | PIN |
| 17 | D24.0115.0300 | SEAT |



| | | |
|----|-----------------|--|
| 1 | GB/T6183.1-2000 | FLANGE LOCK NUT M8 |
| 2 | GB/T96-1985 | BIG WASHER |
| 3 | 1,93401E+11 | FRONT STAY BAR WELDMENT |
| 4 | 1,93401E+11 | FRONT RIGHT DERRICK |
| 5 | GB/T6177.2-2000 | Hexagon nut 10X1.25 |
| 6 | 1,93401E+11 | PIN |
| 7 | GB/T889.2-2000 | LOCK NUT M10×1.25 |
| 8 | GB/T97.1-1985 | WASHER 10 |
| 9 | D24.0113.0001 | SPRING PIN |
| 10 | 1,93401E+11 | LIFTING LINK ROD WELDMENT(REAR DISCHARGE) |
| 11 | 1,93401E+11 | REAR ARM WELDMENT(Rear) |
| 12 | 1,93401E+11 | U DERRICK WELDMENT |
| 13 | 1,93401E+11 | FRONT ARM WELDMENT |
| 14 | 20082799 | FLANGE BOLT 5/16-18TX3/4 |
| 15 | 1,93401E+11 | U-SHAPED CLAMP |
| 16 | GB/T6183.2-2000 | FLANGE LOCK NUT M10×1.25 |
| 17 | D39.0116.0001 | ADJUSTING PIN |
| 18 | 1,93401E+11 | LIFTING PULL ROD(REAR DISCHARGE) |
| 19 | 20082800 | Tapping screwM6*1 |
| 20 | 1,93401E+11 | Spring hanging plate TTM86, electroplating |
| 21 | D39.0105.0012 | HANDLE |
| 22 | 1,93401E+11 | RATCHET PLATE |
| 23 | 1,93401E+11 | LIFTING HELPING SPRING |
| 24 | D40.0105.0004 | Cotter pin φ3 |
| 25 | GB/T97.1 | WASHER 14x1.5 |
| 26 | D40.0203.0005 | RIGHT SPRING |
| 27 | 1,93401E+11 | LEVEL WELDMENT |
| 28 | GB/T896-1986 | RETAINER RING 12 |
| 29 | D24.0116.0012 | HEXAGON BUSHING |
| 30 | 1,93401E+11 | Deck Lift Shift Assemble |
| 31 | 193405120104 | Pin joint TTM86S, electroplated |
| 32 | 193401120110 | Rear left suspender TTM86, electroplated |
| 33 | 193401120109 | Rear Right suspender TTM86, electroplated |
| 34 | D24.0116.0013 | ADJUSTING PIN |



| | | |
|----|--------------------------|---------------------------------|
| 1 | 193401170400 | Electric cable (electric start) |
| 2 | 20051895 | Cable tie |
| 3 | GB/T6177.1-2000 | Hexagon flange nut M6 |
| 4 | D24.0123.1000 | OPEN CLOSE SWITCH |
| 5 | GB/T818-2000 | Screw M6*16 |
| 6 | GB/T845-1985 | Tapping screw ST4.2*10 |
| 7 | GB/T5789-1986 | BOLT M5×16 |
| 8 | GB/T6183.1-2000 | FLANGE LOCK NUT M5 |
| 9 | 188.YYMM TQ01 DC 12V 40A | STAR RELAY |
| 10 | D39.0123.0400 | POWER CABLE |
| 11 | GB/T894.1-1986 | Axial elastic ring Φ24 |
| 12 | D24.0223.0200 | Buzzer |
| 13 | 20085696 | FUSE BRM148S, 20A |
| 14 | 17.01.A168117 | SWITCH, PTO |
| 15 | 1,93401E+11 | SWITCH |
| 16 | 1,93401E+11 | Electric door lock |
| 17 | D39.0123.0500 | Battery cable |
| 18 | 193401170114 | SWITCH |
| 19 | 193401170115 | SWITCH |
| 20 | 193401170105 | spring plate |
| 21 | GB/T6183.1-2000 | Hexagon flange lock nut M6 |
| 22 | GB/T6170-2000 | nut M3 |
| 23 | GB/T862.2-1987 | Washer 3 |
| 24 | 1,93401E+11 | Switch base |
| 25 | GB/T947-1988 | Screw M6*16 |
| 26 | 193401170101 | Hook |
| 27 | D40.0104.0501 | Switch lever |
| 28 | E58.0151.0108 | SPLIT PIN |
| 29 | GB/T96-1985 | Washer Φ6 |
| 30 | GB/T818-2000 | Screw M3*20 |
| 31 | D40.0104.0500 | Switch |
| 32 | D24.0123.0900 | Belt |
| 33 | D40.0108.0009 | BATTERY 12V 18Ah |
| 34 | 193401170110 | HOOK |
| 35 | 193401170201 | GROUND CABLE |



| | | |
|----|-----------------|--|
| 1 | GB/T845-1985 | SCREW ST4.8×16 |
| 2 | 193401150126 | AIR DIRECTOR |
| 3 | GB/T845-1985 | SCREW ST4.8×20 |
| 4 | 193401150102 | RIGHT SIDE COVER |
| 5 | 193401150103 | FRONT COVER BLACK |
| 6 | D24.0113.0001 | SPRING PIN |
| 7 | GB/T97.1-1985 | WASHER 10 |
| 8 | 193905150123 | PIN |
| 9 | 193401150119 | RIGHT LIGHT COVER |
| 10 | 193401150122 | RIGHT LIGHT BASE TTM86,Bright silver plating |
| 11 | 193401170111 | light |
| 12 | 193401150131 | Lamp Base cover TTM86, black |
| 13 | GB/T845-1985 | TAPPING SCREW ST2.9x12 |
| 14 | 193401150121 | LEFT LIGHT BASE TTM86,Bright silver plating |
| 15 | 193401150101 | LEFT SIDE COVER |
| 16 | 193401150120 | LEFT LIGHT COVER |
| 17 | GJB25D.00.01-00 | Ignition wire clamp |
| 18 | 193401150106 | ENGINE COVER |
| 19 | 193401150105 | ENGINE COVER AIR INTAKE |
| 20 | GB/T947-1988 | SCREW M6×16 |
| 21 | 193401150125 | STEERING WHEEL COVER |
| 22 | 102521040206 | HANDLE ANTI-VIBRATION RUBBER |
| 23 | GB/T818-2000 | Screw M6X16 |
| 24 | 193401150108 | PANEL |
| 25 | D24.0117.0010 | BUCKLE NUT M6 |
| 26 | 193401150107 | SHIELD |
| 27 | 20082800 | SCREW 6x16 |
| 28 | 193401150112 | MAINTENANCE COVER |
| 29 | 193401150118 | RIGHT STORAGE BOX |
| 30 | 193401150109 | REAR SEAT |
| 31 | GB/T947-1988 | SCREW M6×16 |
| 32 | 193401150117 | LEFT STORAGE BOX |
| 33 | 193401150110 | REAR COVER TAIL-BOARD |
| 34 | GB/T16824 | TAPPING SCREW ST4.8x16 |